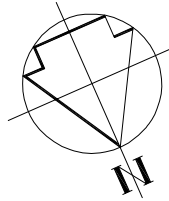


0 1 2 3 4 5 6 metres

scales 1:50 @ A1
1:100 @ A3



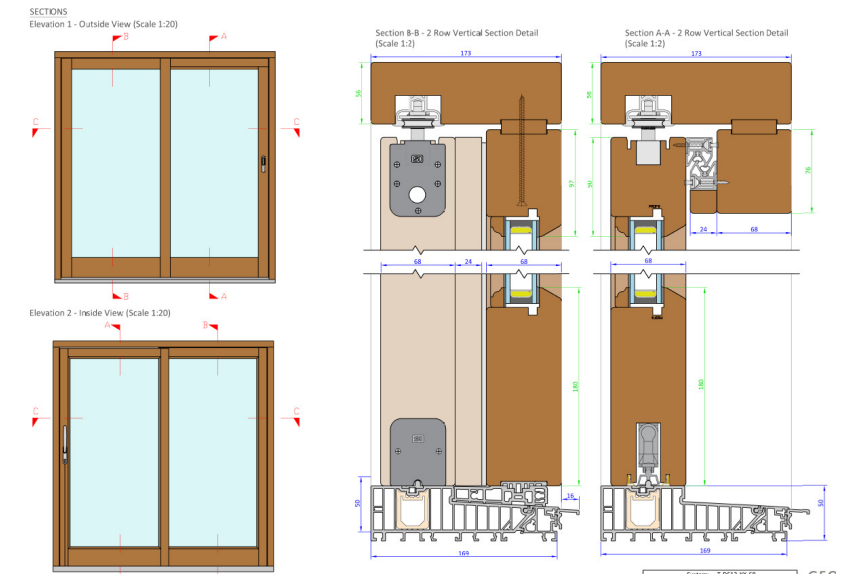
no 59

no 61

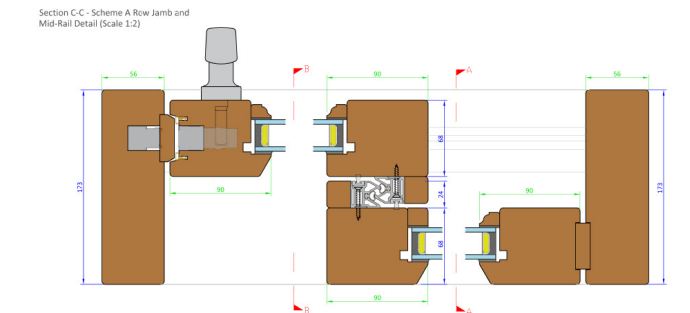
no 63



rear elevation



vertical section



horizontal section

section through timber patio doors
scale as annotated

DVM
ARCHITECTS

4a Murray Street . London . NW1 9RE
Telephone 0207 485 2121 . Facsimile 0207 267 2527
e-mail: studio@dvmarch.com

Client
Kari Holtung

Project
61d Belsize Park Gardens
London NW3 4JN

Title
Rear Elevation
as Proposed

Scale	Date	Job No.
1:50	24.05.23	1184
Drawing No.	Rev.	
1184-15	C	

All dimensions are to be checked on site.
© This drawing is copyright and remains the property of David & Victoria Mercer at all times and may not be reproduced in part or whole without written consent.