

5.1 Classic Sliding Sash Components (VE)

Anglian's PVCU Classic Sliding Sash windows offer a traditional style window with a small sash over a large sash to give equal sightlines. Ideal for sympathetically replacing old timber windows on Georgian or Victorian style homes.

Frames and Sashes

All opening lights slide vertically within the mainframe and can also be tilted inwards to allow access to the external surface for easy cleaning.

Where required sashes can be fixed in position, and all glazing is secured by internally fitted glazed beads.

Sash profiles are chamfered and where visible feature an Ovolo glazing bead.

Top mainframe profiles have welded corners and the bottom mainframe profiles have a mechanical butt jointed corner, when no continuous horn is used all sash profiles are welded but when a continuous horn is used then the bottom profile on the top sash is mechanically jointed.

All sashes, frame and sills are fitted with a thermal insert to improve energy efficiency, and are made from 100% recycled PVC-U.

Please Note: There is NOT an option for a deep bottom rail.

Constant Force Springs

Instead of traditional cords and weights to act as a counterbalance, sashes are fitted with constant force springs to suit exact size and weight on each sliding sash, pre-tensioned to make them easy to lift.

Trims

The standard range of Anglian foil trims are available with this product.

Classic

COLLECTION



Constant Force Spring.

SECTION 5: CLASSIC SLIDING SASH WINDOWS

Egress Opening

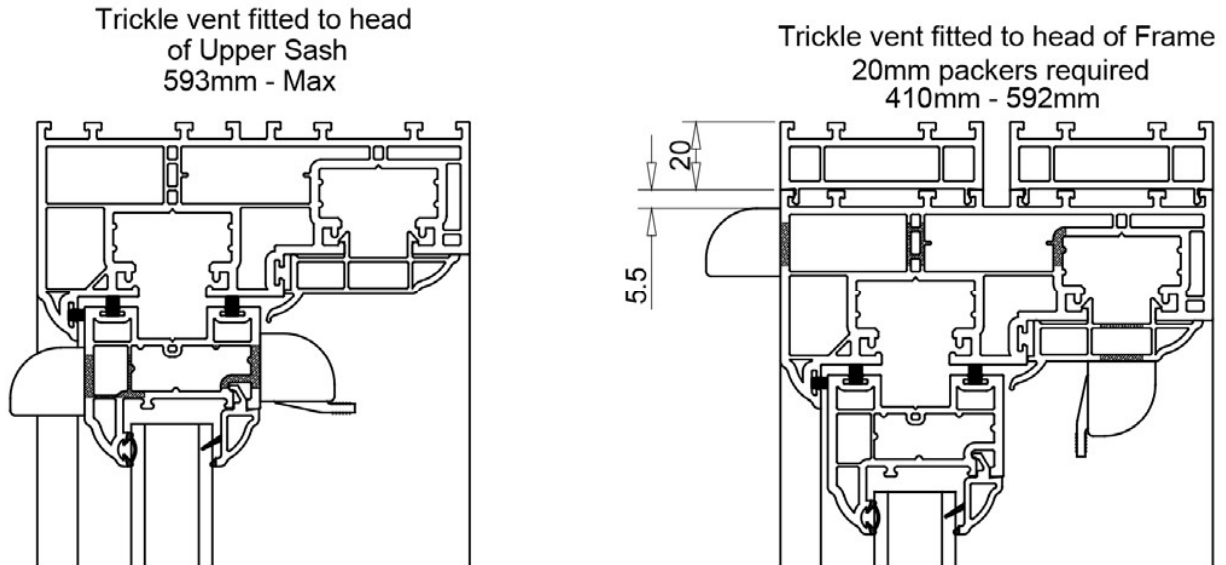
In accordance with Approved Document B of the Building Regulations all habitable rooms where the window is less than 4.5m from ground level, which do not lead to a hallway with direct access to the outside, should be provided with a window having a clear opening area less than 0.33m^2 and no smaller than 450mm in any direction.

If, however the windows being replaced do not comply with this and the replacement does not make the situation any worse, then it is deemed acceptable.

Ventilators

Where the existing window provided background ventilation, then the replacement window should also provide background ventilation.

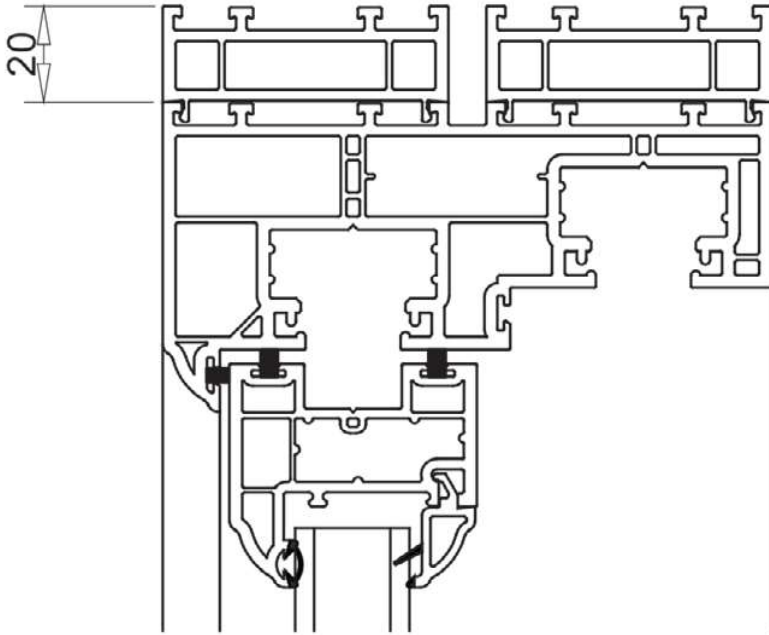
Where trickle vents are used to provide background ventilation then these will be provided in the head of the sash when less than 593mm to Max size and into the head of the frame for sizes 410mm-592mm.



SECTION 5: CLASSIC SLIDING SASH WINDOWS

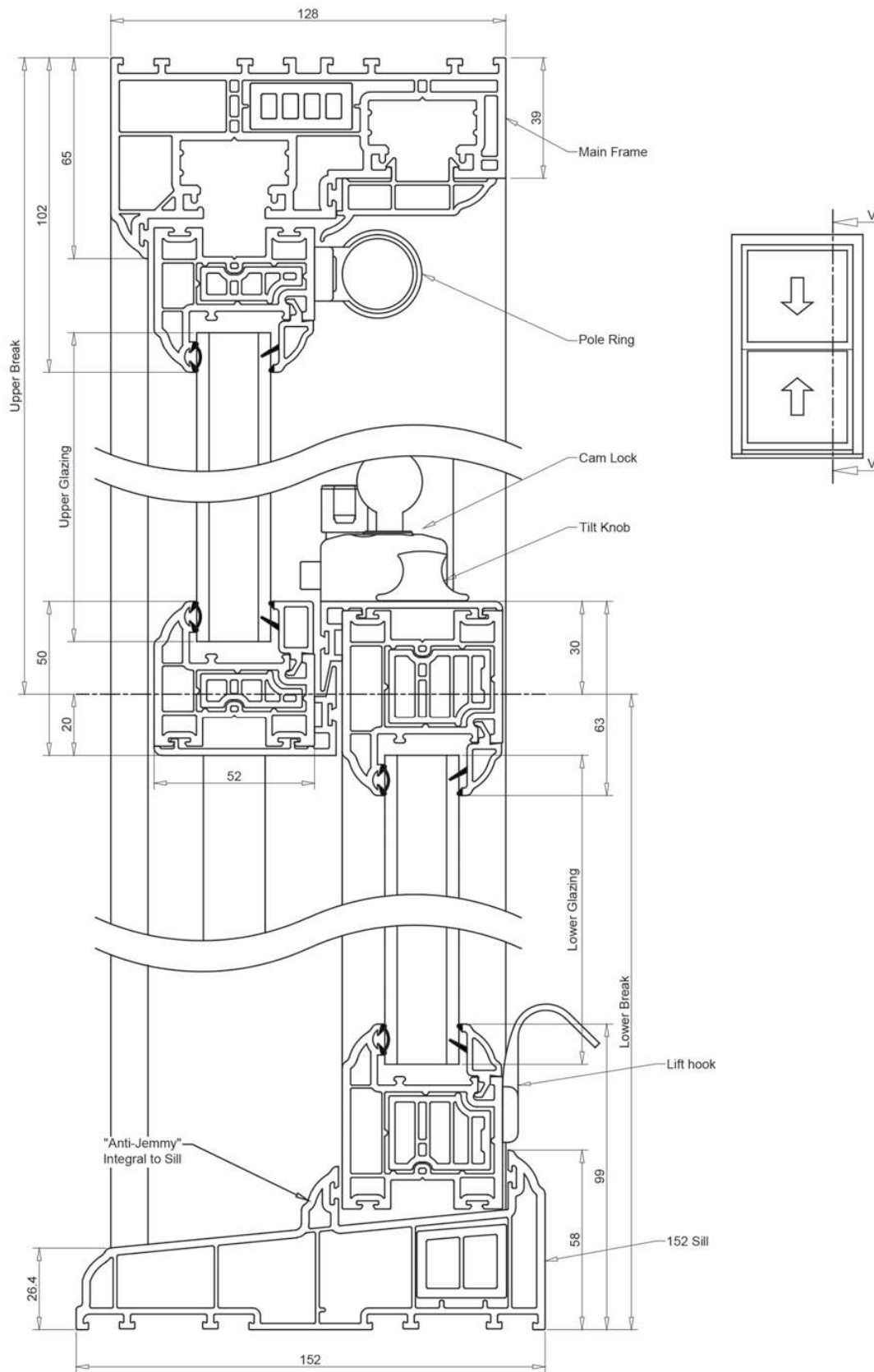
Frame Packers

Frame packers (20mm) can be fitted both internally and externally to the jambs, and internally and externally to the head up to 152mm. Sill option internally only on 185mm & 225mm sills.



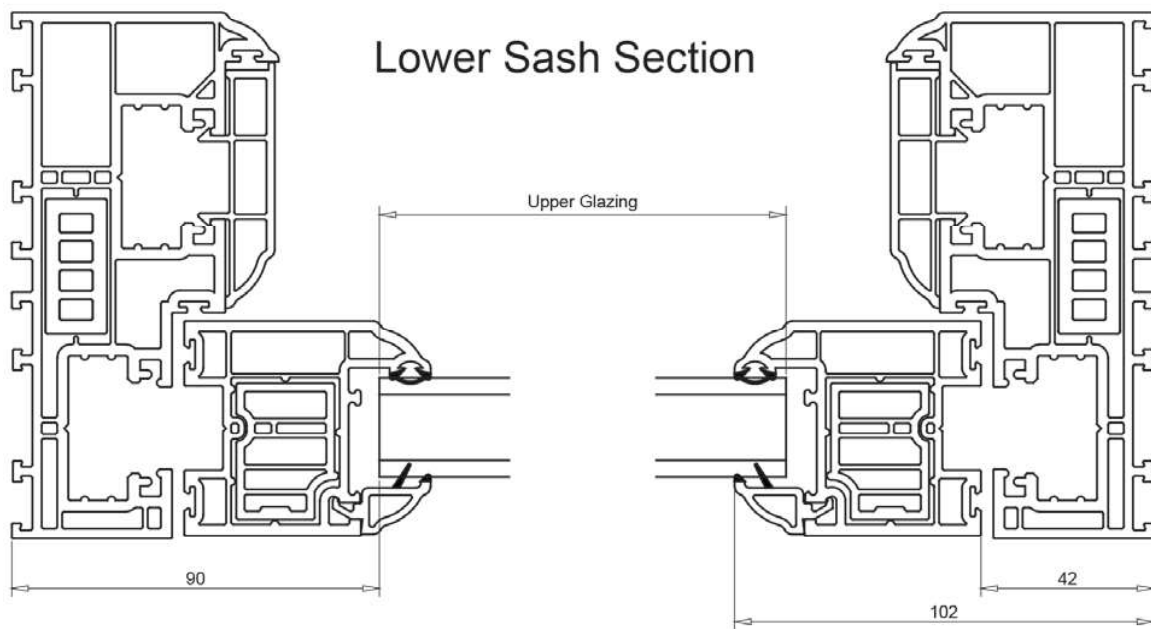
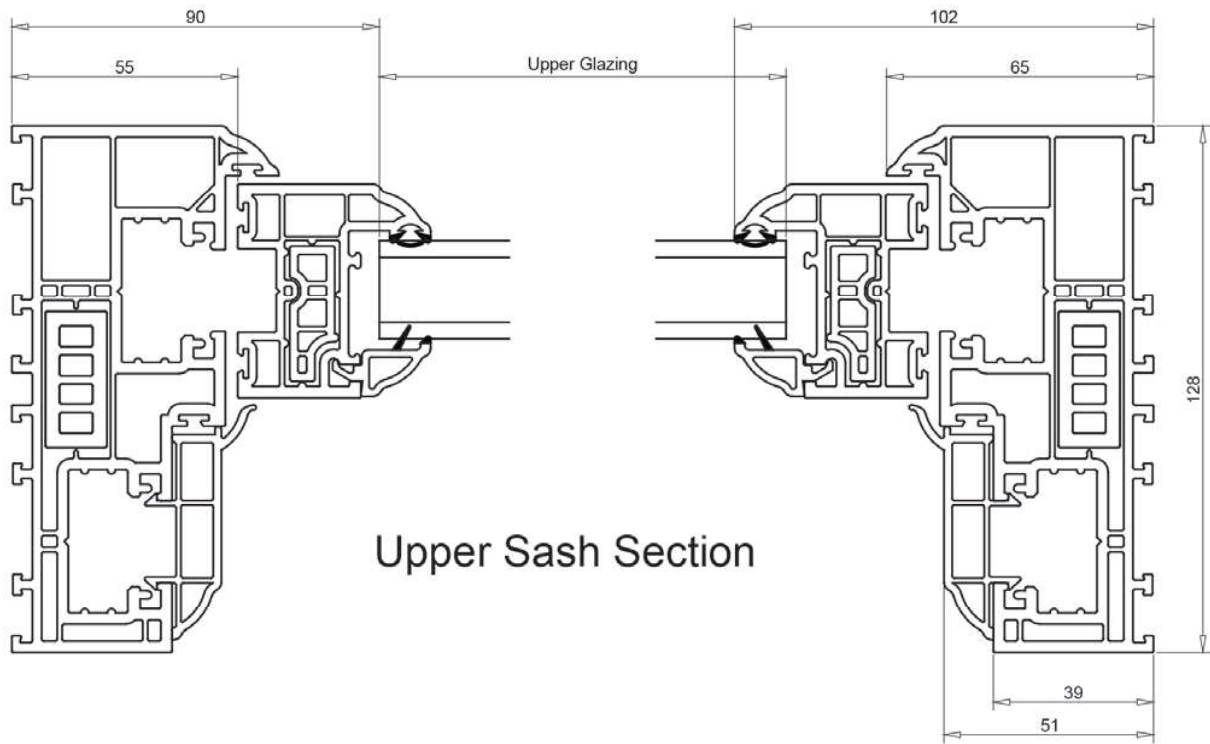
5.2 Classic Sliding Sash General Arrangement

Classic Vertical Section



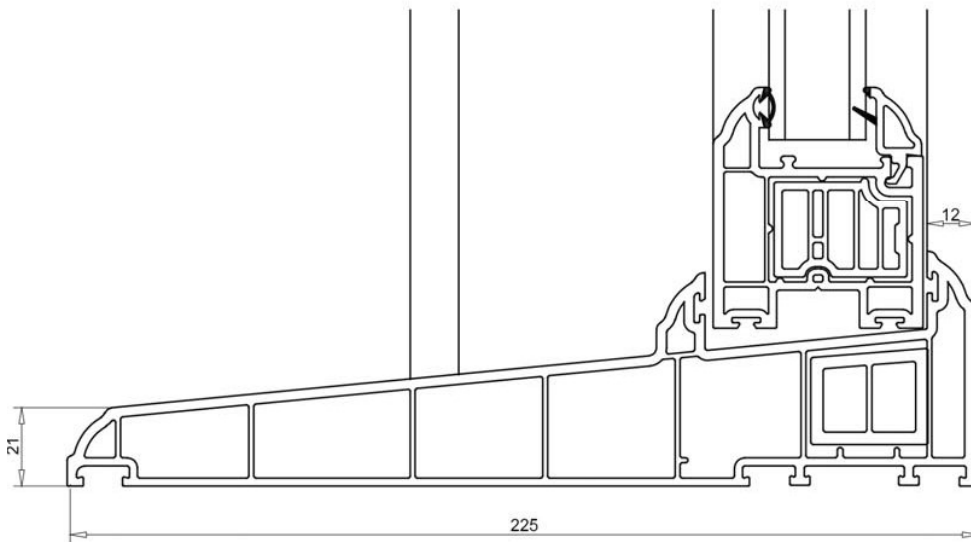
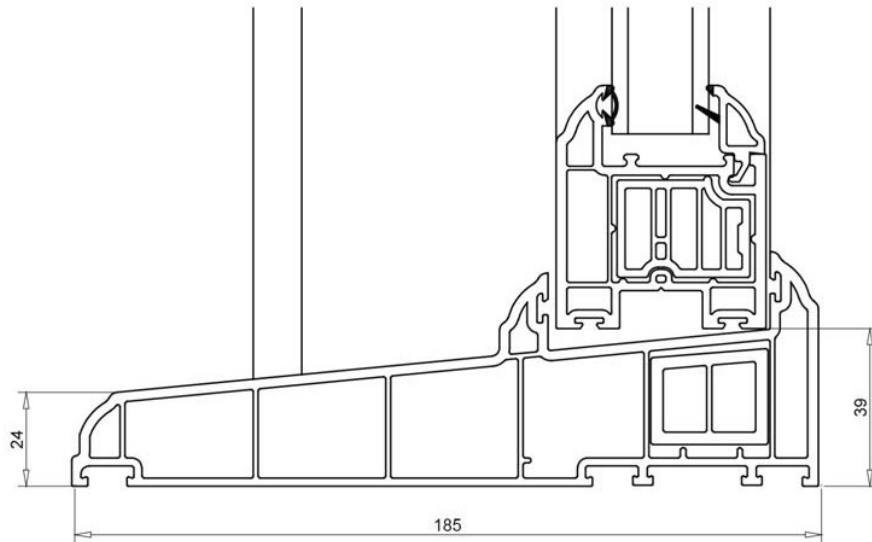
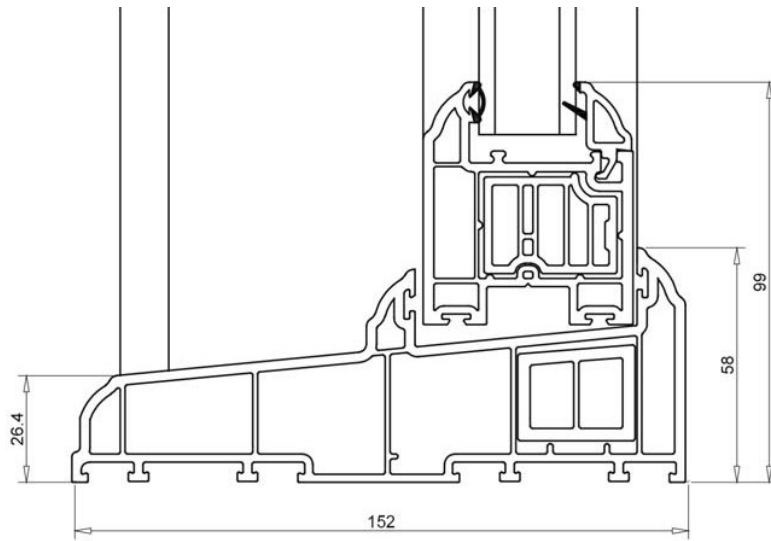
SECTION 5: CLASSIC SLIDING SASH WINDOWS

Classic Horizontal Section

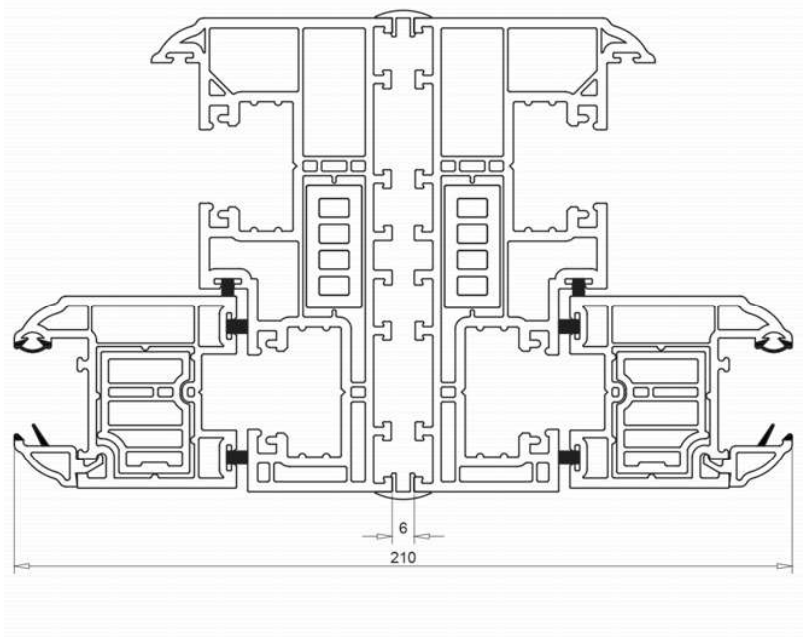


SECTION 5: CLASSIC SLIDING SASH WINDOWS

Classic Sill details

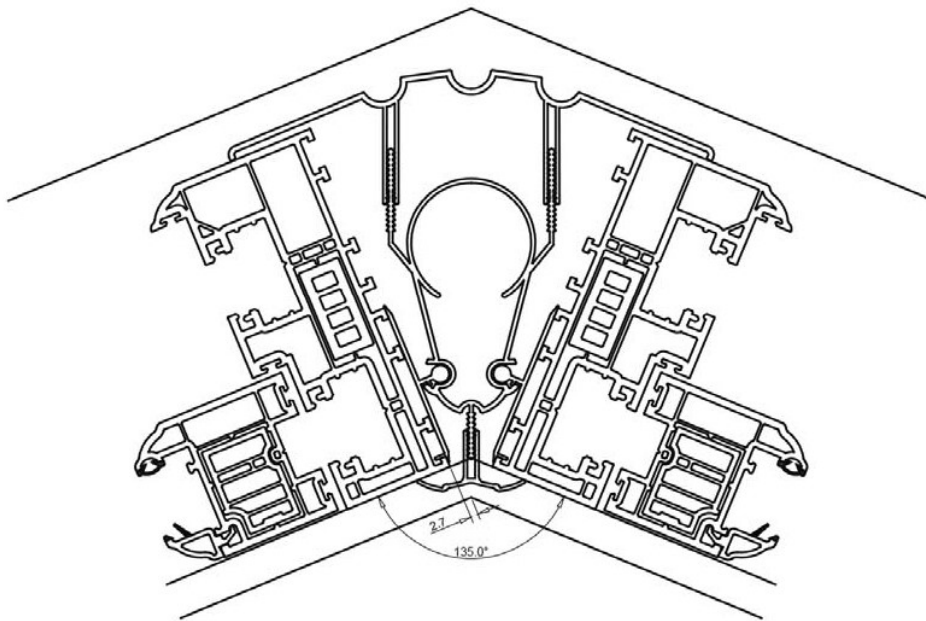
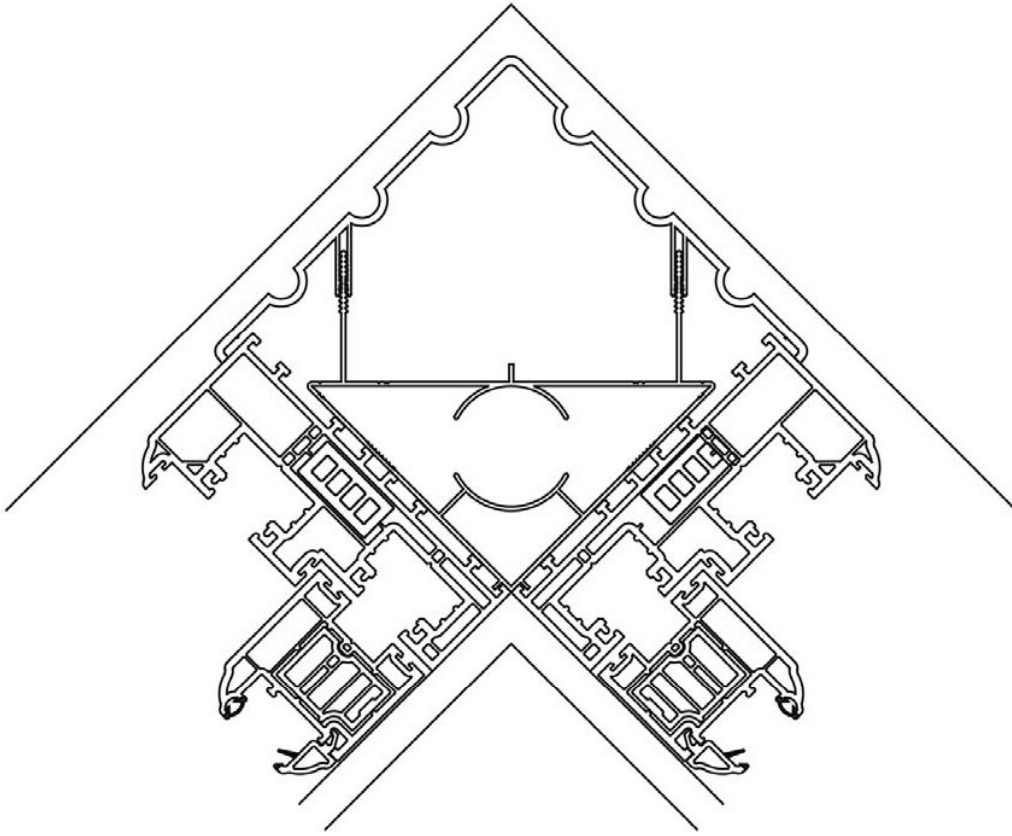


Classic Coupling Details

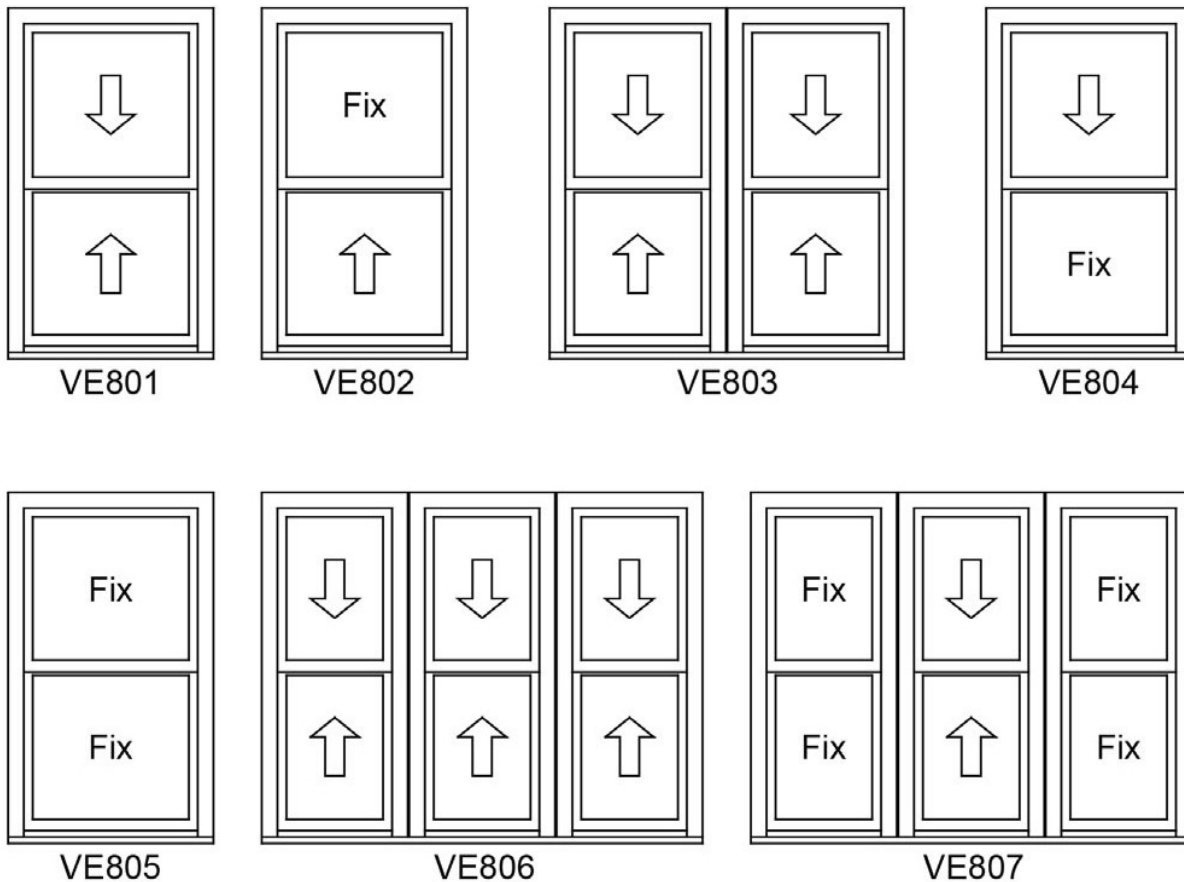


SECTION 5: CLASSIC SLIDING SASH WINDOWS

Classic Bay Corners



5.3 Classic Sliding Sash Design Range



- VE801 has a top & bottom slider
- VE802 is a slider over a fixed vent – springs and tilt arms only fitted on opening sash
- VE803 is 2 x VE801 – mulled onto a single sill
- VE804 is a slider under a fixed vent – springs and tilt arms only fitted on opening sash
- VE805 is a fixed vent over a fixed vent – no locking gear or hardware applicable
- VE806 is 3 x VE801 – mulled onto a single sill
- VE807 is VE801 mulled with a VE805 each side onto a single sill

Mulled units have a common sill and a strap to the head. Units cannot be mulled vertically or coupled to any other Anglian product.

Shaped units are **NOT** available in the Classic range (if a shaped unit is required the Elite (VM) product is available in shaped designs).

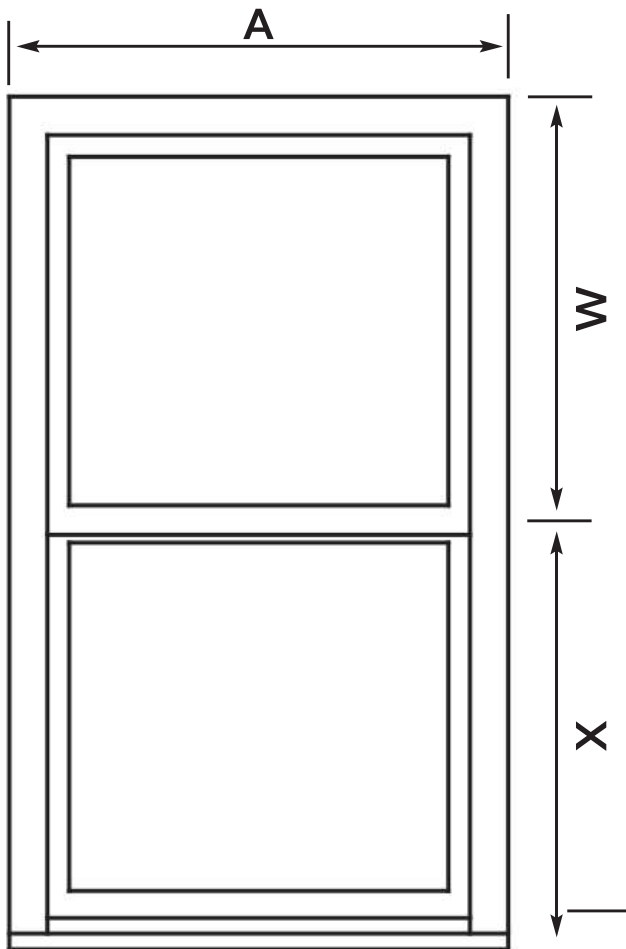
5.4 Classic Sliding Sash Bay Options

Bays are available as 90° or as a splay bay with integral angles between 113° and 156°. Each window fitted with a dummy sill (a fully drilled bay sill is supplied for installation on site)

Splay bays can have a maximum of 5 facets.

Structural bays can only have single windows to any facet as there is no structural inline coupling available and use a 185mm sill as standard.

5.5 Classic Sliding Sash Parameters



Option	Size (mm)
Width A	
Min Width	370
Max Width	1600
Break W	
Min Height	370
Max Height	1500
Break X	
Min Height	370
Max Height	1500
1W + 1B (W or X) = 2600 - Standard Glazing 4-16-4	
1W + 1B (W or X) = 2400 - Safe & Sound Glazing 4-12-6.8	
Total Height	
Min Height	740
Max Height	3000

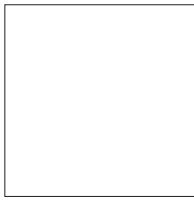
All sizes quoted are Mainframe to Mainframe for a single width break design.

(All dimensions = mm)

Max sash weight = 42kg
(see price list grids for available sizes)

5.6 Classic Sliding Sash Colour Options

Classic sliding sash windows are available in the following colours:



White
(Nearest RAL: 9016)



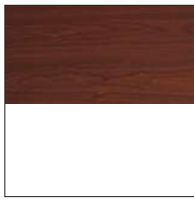
White Woodgrain
(Nearest RAL: 9016)



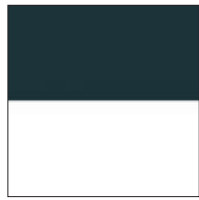
Golden Oak



Dual Golden Oak



Dual Dark
Woodgrain



Dual Anthracite Grey
(Nearest RAL: 7016)



Dual Cream
(Nearest RAL: 9001)



Dual Sage Green
(Nearest RAL:
BS14 C35)

Please Note:

All RAL references provided are for indication only and may not be an exact RAL reference.

The White PVC-U used in this product is **NOT** an exact match to the Anglian white.

The option of Dark Woodgrain/Dark Woodgrain is **NOT** available.

All frames will be supplied on a white substrate.

(GO/GO will be sprayed to match where the foil does not cover)..

5.7 Classic Sliding Sash Glazing Options

Sealed Units

All sealed units (excluding laminated) are toughened as standard.

System	Configuration	External Pane	Internal Pane	Unit Fill	Spacer Bar	Reinforcing	BFRC Rating	Energy Index	U Value W/m ² K
Standard	4-16-4	Low Iron	Soft Coat Low E	Air	Black Warm Edge	Thermal Insert	A	6	-
Safe & Sound	4-12 -6.8	Clear Laminated	Soft Coat Low E	Argon	Black Warm Edge	Thermal Insert	-	-	1.6

Glazing Effects

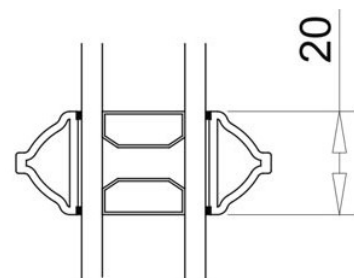
The following glazing effects are available for the Classic Sliding Sash windows:

- All standard Obscures (incl. Silver Mist)
- All standard lead designs (available with Clear, Stippolyte, or Silver Mist glazing only)
- Anglian Decorative Glass (available with Clear, Stippolyte, or Silver Mist glazing only)
- Cottage Bars (details below)
- Georgian Inserts (details below)

Please Note: Brilliant Cut and holes in glass are not available options .

Cottage Bars

Cottage bars are fitted on both the inside and outside of the glass unit and use an internal black spacer bar. They are available in all frame foil colours.



Georgian Bars

Internal Georgian inserts are available in all frame colours, fitted within the double-glazed unit.

Available in widths:

- 18mm
- 25mm



5.8 Classic Sliding Sash Hardware Options

Cam Locks

The lockable cam locks lock the two sashes together increasing security and draught exclusion.

They are fitted to the head of the lower sash unless both panes are fixed. One cam lock is fitted centrally for window widths up to 799mm, and two are fitted (160mm from the sash edge) for windows above 800mm.

Cam locks can be aligned with Cottage Bars (as an option).

Available in White, Gold & Chrome.



Finger Latch Knobs & Tilt Latch

Two decorative finger latch knobs are fitted on the bottom sash to operate the tilt latch facility.

On the top sash two latch knobs are hidden from view and are accessible when the sash is lowered.

Decorative latch knobs are available in White, Gold & Chrome.



Pole Eye

Supplied as standard, the pole eye allows for the top sash to be pulled down. One pole eye will be fitted to the top rail of an opening sash up to 479mm mainframe width and two pole eyes will be fitted above 480mm mainframe width.

If the window has a trickle vent, then two pole eyes are fitted either side of the vent.

Available in White, Gold & Chrome.



SECTION 5: CLASSIC SLIDING SASH WINDOWS

Lift Handles

To enable the bottom sash to be lifted a handle(s) is fitted to the bottom sash. Lining through with the cam locks, one lift handle will be fitted to mainframe widths up to 479mm and two for mainframe widths above 480mm.

Available in White, Gold & Chrome.



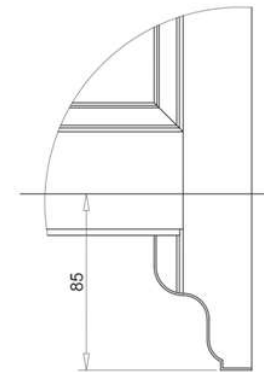
Decorative Horns

Decorative continuous horns are used to replicate Victorian Sash windows, where they were used as a feature to the top sash to strengthen the joint.

Continuous horns are available in the same colour as the frame colour and they extend 85mm from the sash break.



Decorative Horn.



Continuous Horn.

SECTION 5: CLASSIC SLIDING SASH WINDOWS

Tilt Restrictors

Tilt restrictors (stainless steel) are fitted as standard to allow the sashes to be tilted in safely for cleaning.



Limit Stops

Two 'key operated' limit stops are fitted as standard to the top sash. When activated, for ventilation, they limit the initial sash opening to approximately 100mm. Both a safety and security feature.



Limit Stop and Finger Latch.

Sash Stop

Sash stops (PVC-U sections) are fitted as standard to each jamb to protect the springs from overstretching and damaging the operating mechanism.



SECTION 5: CLASSIC SLIDING SASH WINDOWS

Weather Seals

Pile seals are fitted around the perimeter of both sashes for air permeability and water tightness.



Security Bar

A design feature of these windows is an integral security bar as part of the window sill, this feature increases security helping to prevent potential intruders using tools, or excessive force to try and lever open the bottom sliding sash to gain entry.

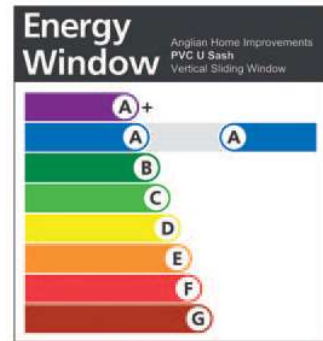


5.9 Classic Sliding Sash Performance Properties

Energy Rating

Our Classic Sliding Sash window achieve an energy rating of 'A' as standard.

Safe & Sound glazing is not WER rated but achieves a U-Value of 1.6 W/m²K.



Weather Tightness

The Classic sliding sash windows are designed to meet the requirements of exposure category 1600 as defined by BS 6375 Part 1.

Test results to BS 5368 are:

Wind resistance = 1600 Pa/Class 4

Water tightness = 200Pa/Class 5a

Air Permeability = 600Pa/Class 2