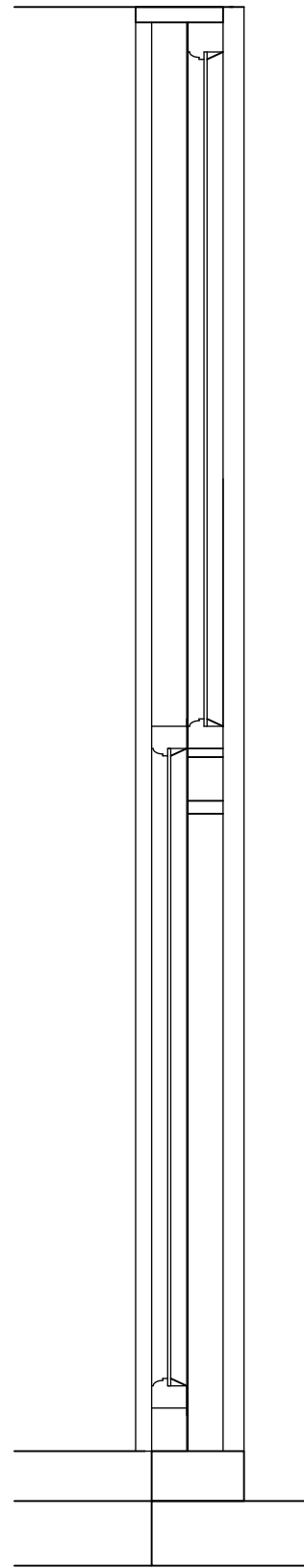
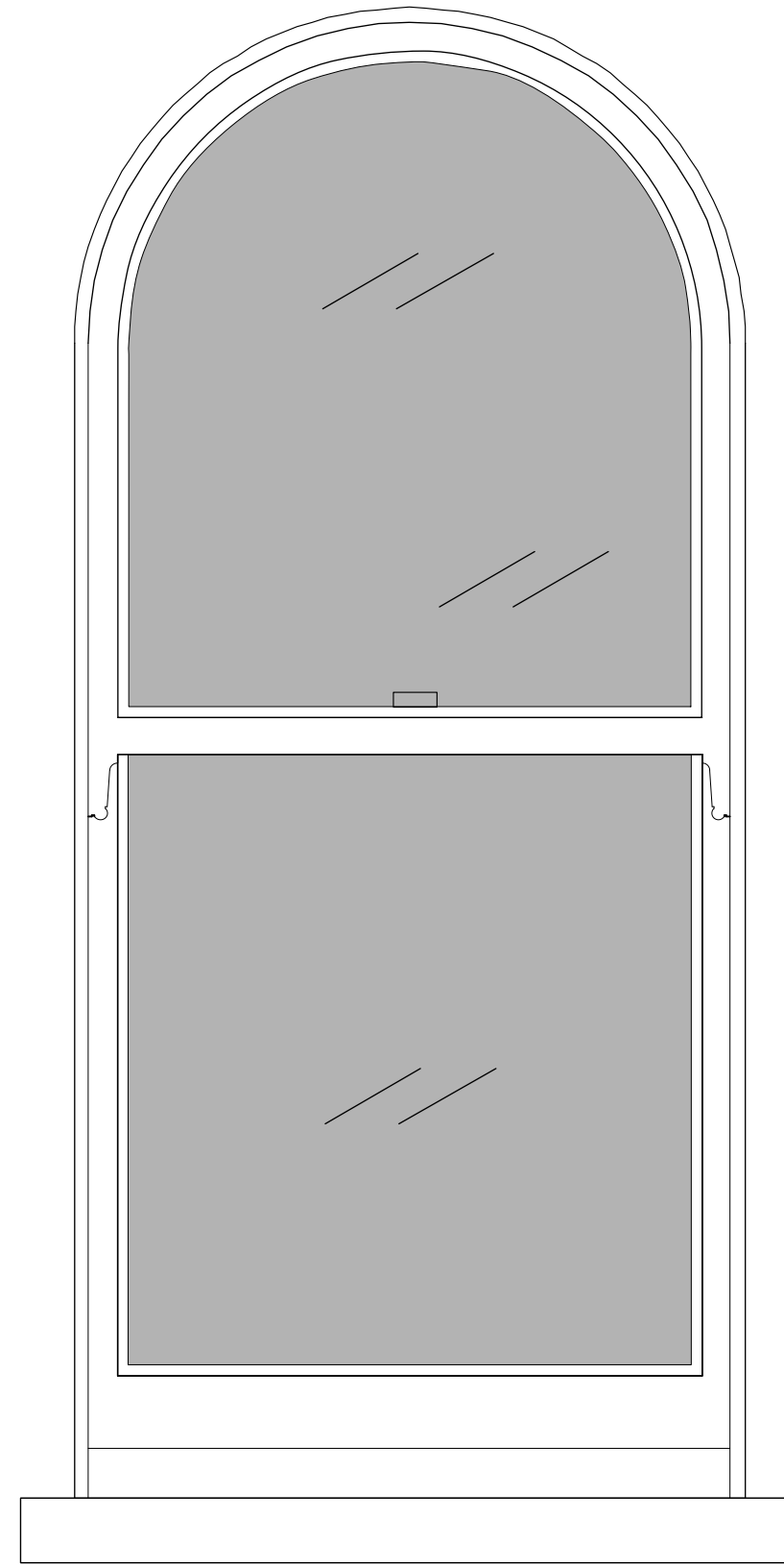


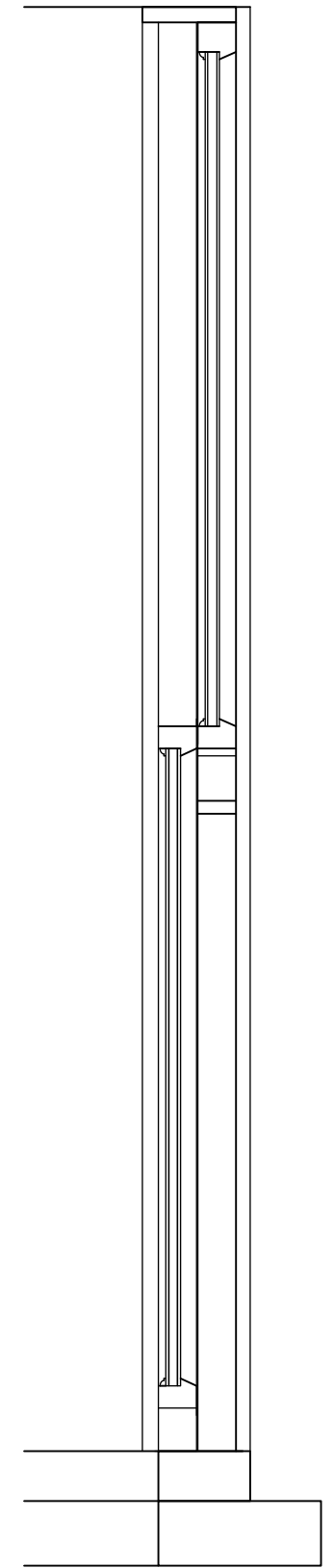
EXISTING ELEVATION



EXISTING SECTION

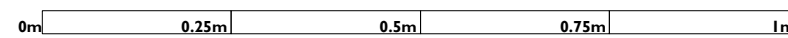


PROPOSED ELEVATION



PROPOSED SECTION

SCALE BAR 1:10



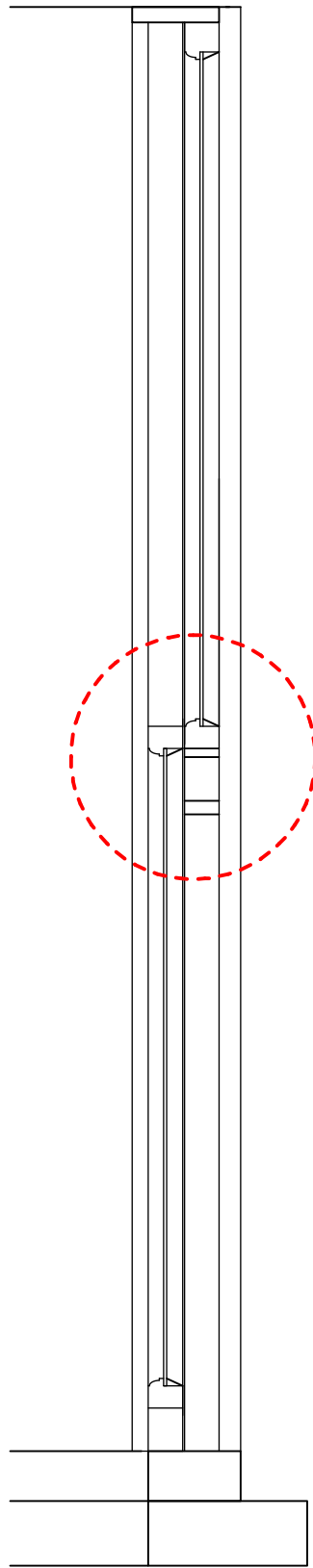
rev: **A** date: 21/10/22 notes: First Issue

project **20 Well Road**  
drawing Typical Window Elevation & Section  
scale & size 1:10@ A3  
date 21.10.22

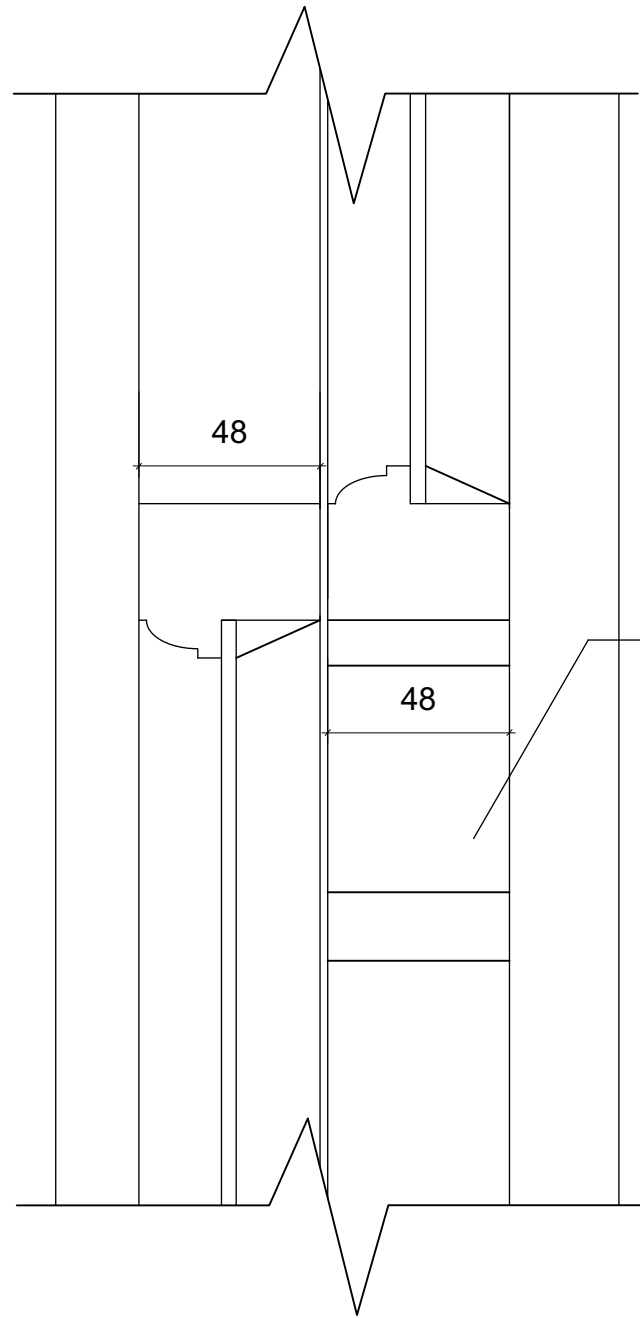
drawn by JH checked by PB

SECOND FLOOR  
28 POLAND STREET  
LONDON W1F 8QP  
020 7734 0538  
info@baynesandmitchell.co.uk  
www.baynesandmitchell.co.uk

**477 550** **A** Status **PLANNING**  
**BAYNESANDMITCHELLARCHITECTS**

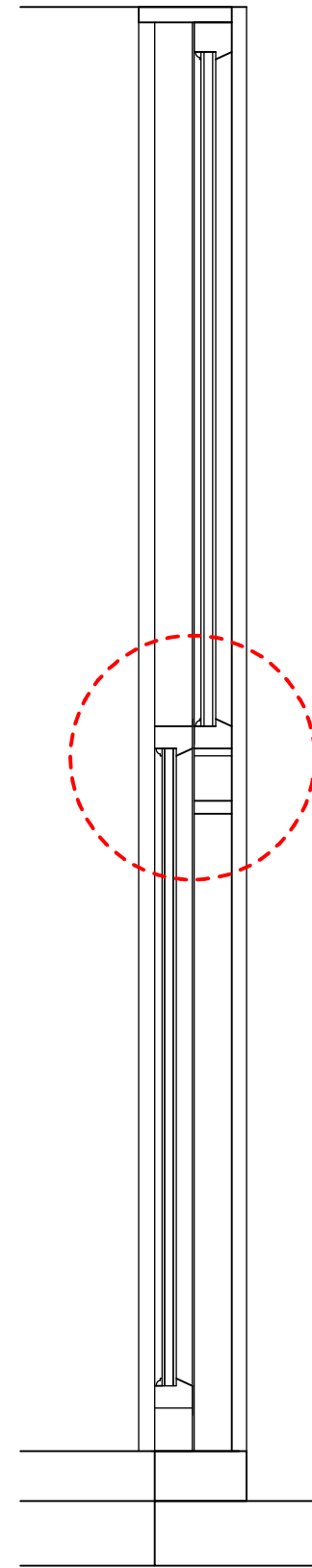


EXISTING SECTION  
1:10

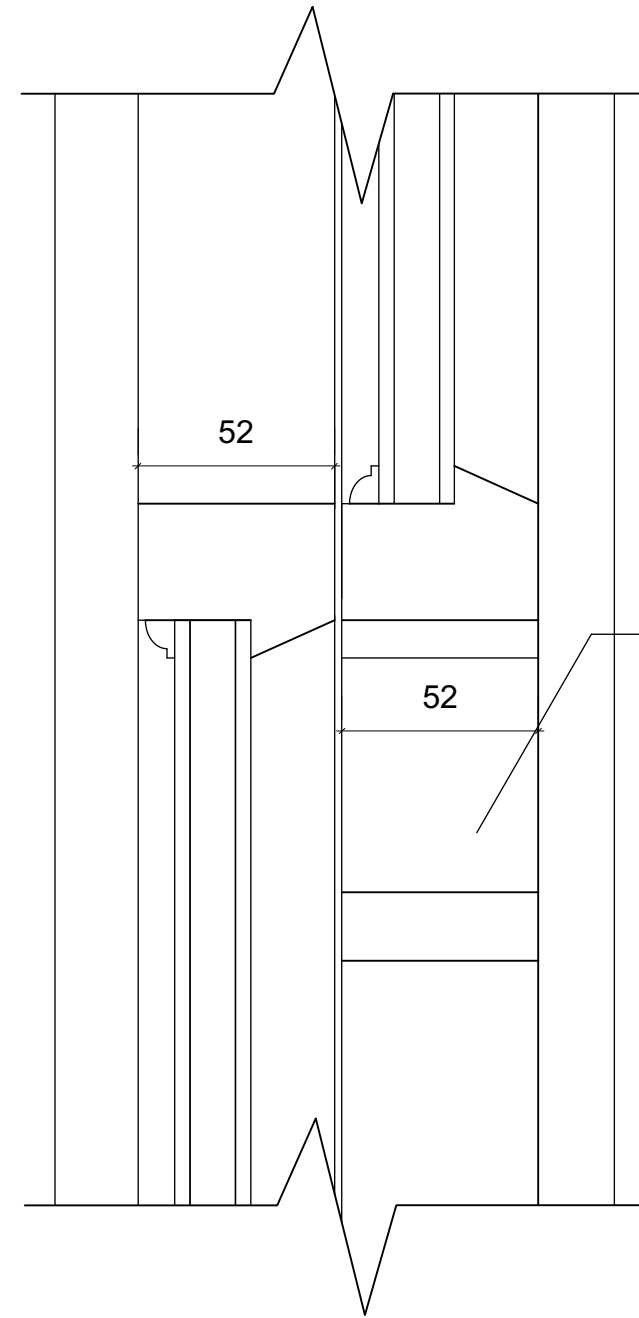


EXISTING MEETING RAIL SECTION DETAIL  
1:2

Profiled Horn



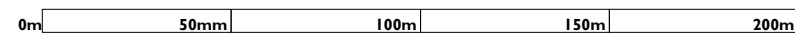
PROPOSED SECTION  
1:10



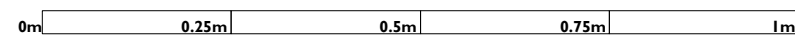
PROPOSED MEETING RAIL SECTION DETAIL  
1:2

Profiled Horn

SCALE BAR 1:2



SCALE BAR 1:10



rev: A date: 21/10/22 notes: First Issue

project 20 Well Road  
drawing Typical Window Detail  
scale & size 1:10, 1:2@ A3  
date 21.10.22 drawn by JH checked by PB

SECOND FLOOR  
28 POLAND STREET  
LONDON W1F 8QP  
020 7734 0538  
info@baynesandmitchell.co.uk  
www.baynesandmitchell.co.uk

477 551 A Status PLANNING  
BAYNESANDMITCHELLARCHITECTS