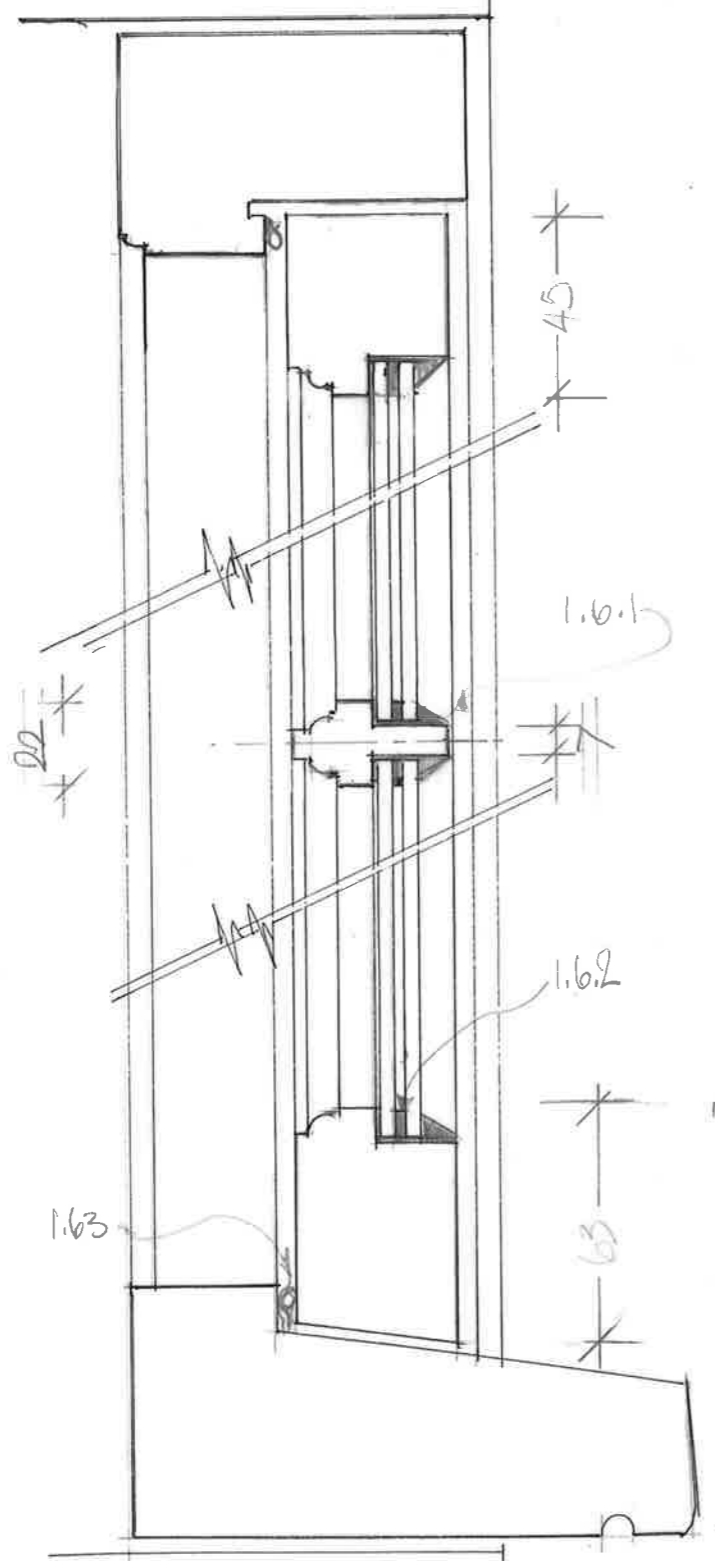
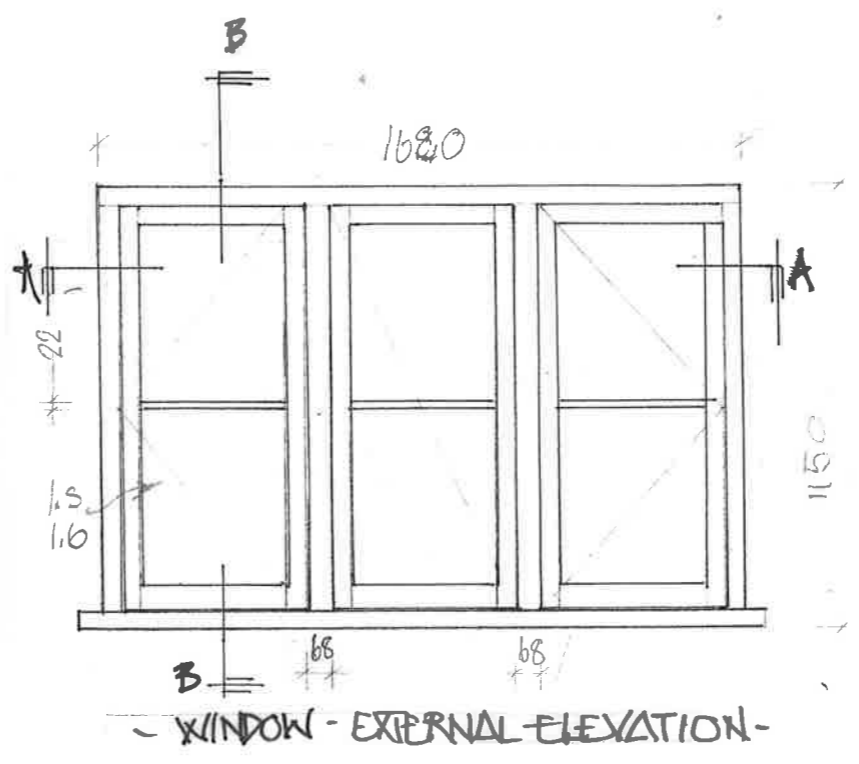


SECTION AA



SECTION BB



- WINDOW - EXTERNAL ELEVATION -

SCOPE OF THE WORKS

- 1. East elevation (to rear projection):**
 - 1.1. See drg no. /1B
 - 1.2. Existing door and adjacent pair of casements to be removed and brickwork raised to window cill height; nb add brick on edge to under cill course as existing.
 - 1.3. See drg no. /1B
 - 1.4. See drg no. /1B
 - 1.5. Fit new 3 section side hung h/w casement with Histoglass double glazed slim units (4/4/4) putty fixed to Histoglass detail. Internal spacers to be white.
 - 1.6. Windows to match existing in pane sizes and timber sections used:
 - 1.6.1. Glazing bars are genuine timber sections, max. sight width 22mm, min. 7mm on external face all as shown on adjacent sections.
 - 1.6.2. DG spacers are white.
 - 1.6.3. Draught seals to opening casements fixed to frame.
 - 1.6.4. No trickle vents to be fitted.
- 2. Internal works:**
 - 2.1. See drg no. /1B
 - 2.2. See drg no. /1B

Works at Lavender Cottage
Vale of Health

joinery details

drg no. VoH/2 Scales: 1:2 & 1:20 @A3

Roz Archer
87 Corringham Road NW11 7DL
t: 020 8201 8670 e: roz@rozarcher.co.uk