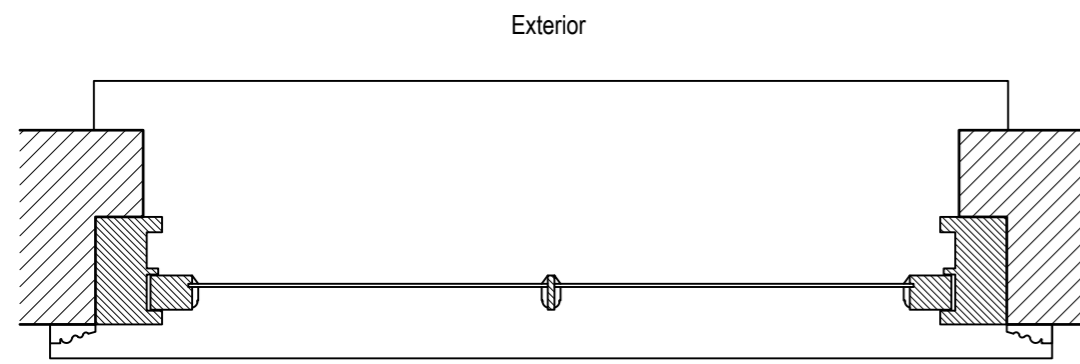
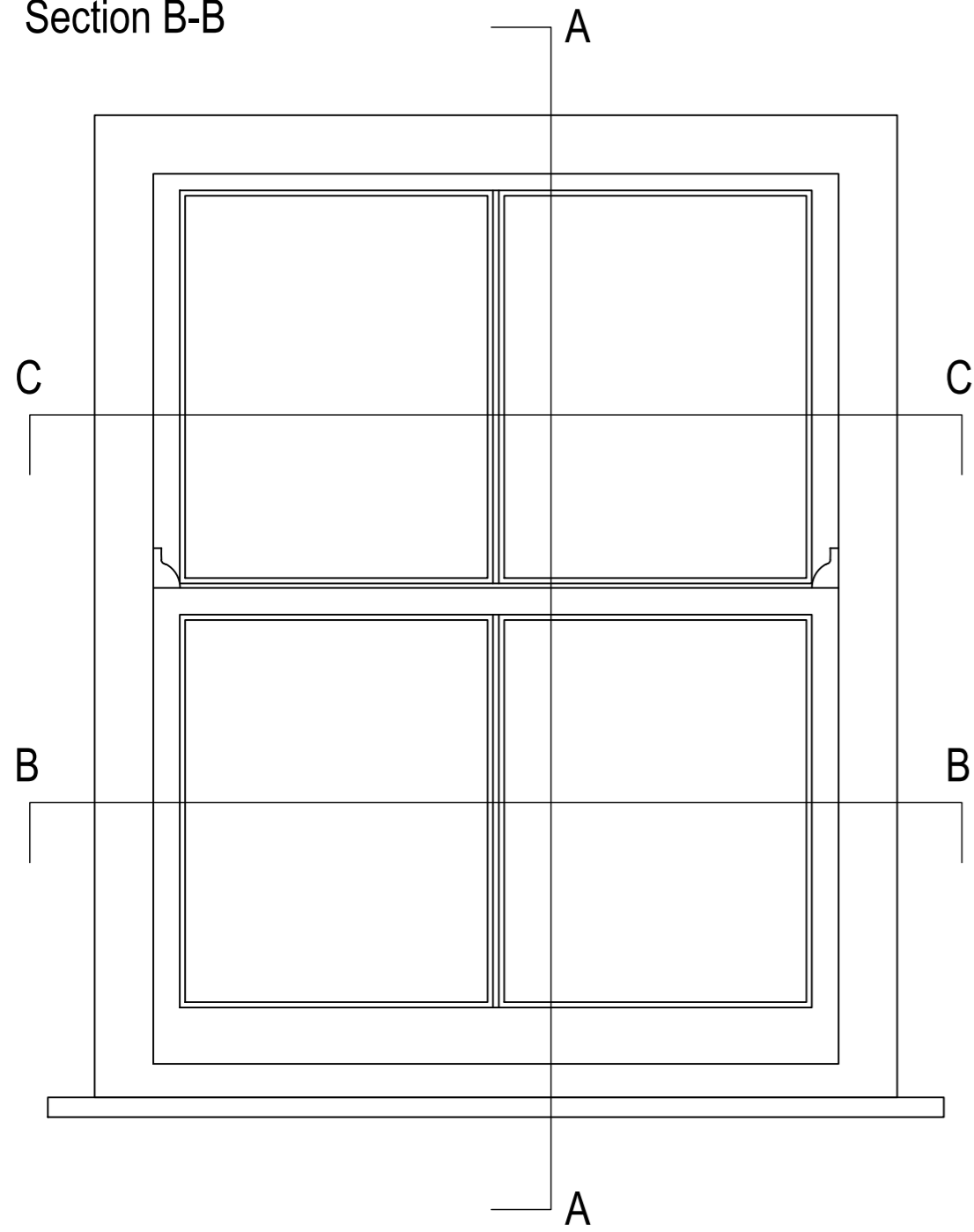


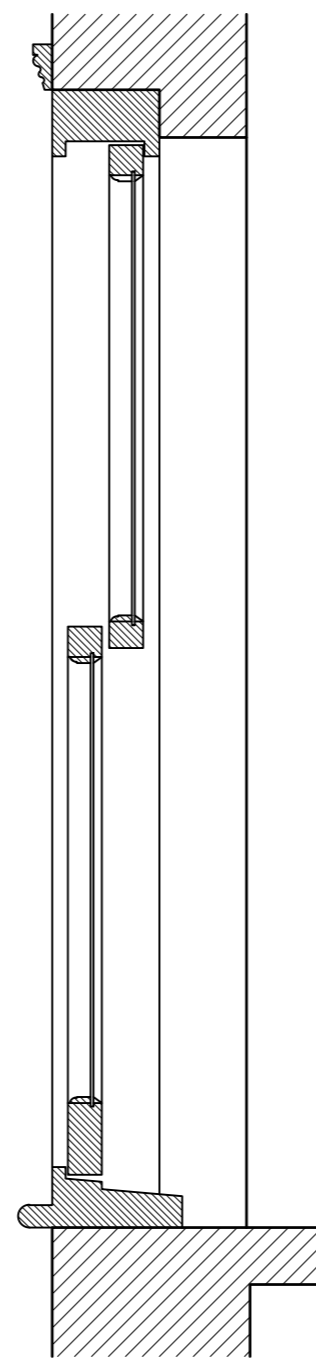
Section C-C



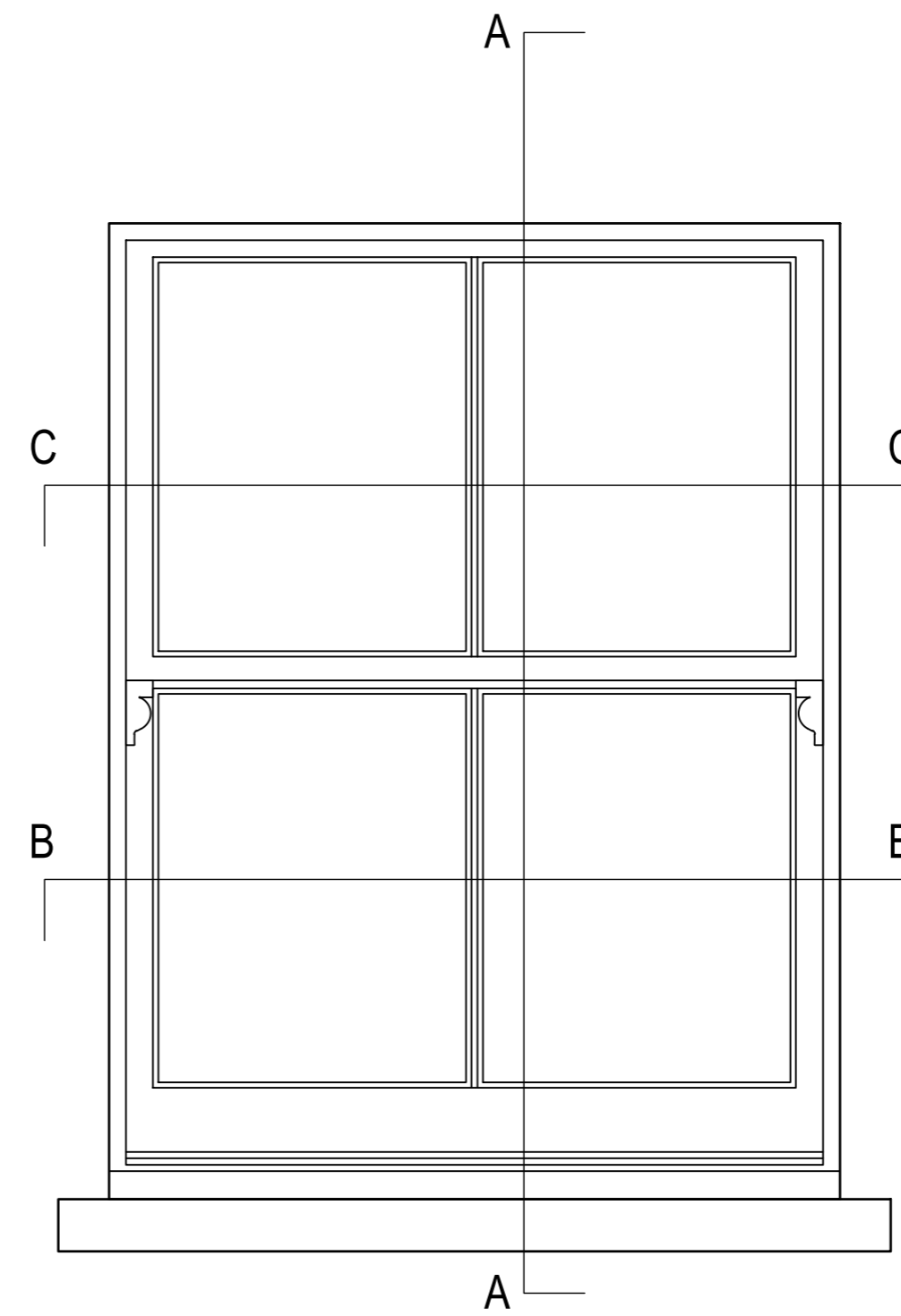
Section B-B



Internal Elevation



Section A-A



External Elevation

NOTES:

Report all discrepancies, errors and omissions.
Do not scale from this drawing.
Verify all dimensions on site before commencing any work or preparing shop drawings.
All materials, components and workmanship are to comply with all the relevant British Standards, Codes of Practice, and appropriate manufacturers recommendations that from time to time shall apply.
For all specialist work, see relevant drawings.

This drawing and design are copyright of PELLINGS LLP

PRELIMINARY

Rev	Date	Description	Name
-	---	---	---



Pellings LLP
Northmoor House, Mount Pleasant, Barnet EN4 8EB
t 020 8441 8500 f 020 8441 4516 e barnet@pellings.co.uk
www.pellings.co.uk

CLIENT London Borough of Camden		PROJECT Pilot Retrofit Properties			
DATE 23/03/2023	SCALE 1:10	@A2	DRAWN GW	CHECKED	
DRAWING NO. 252 922 005					