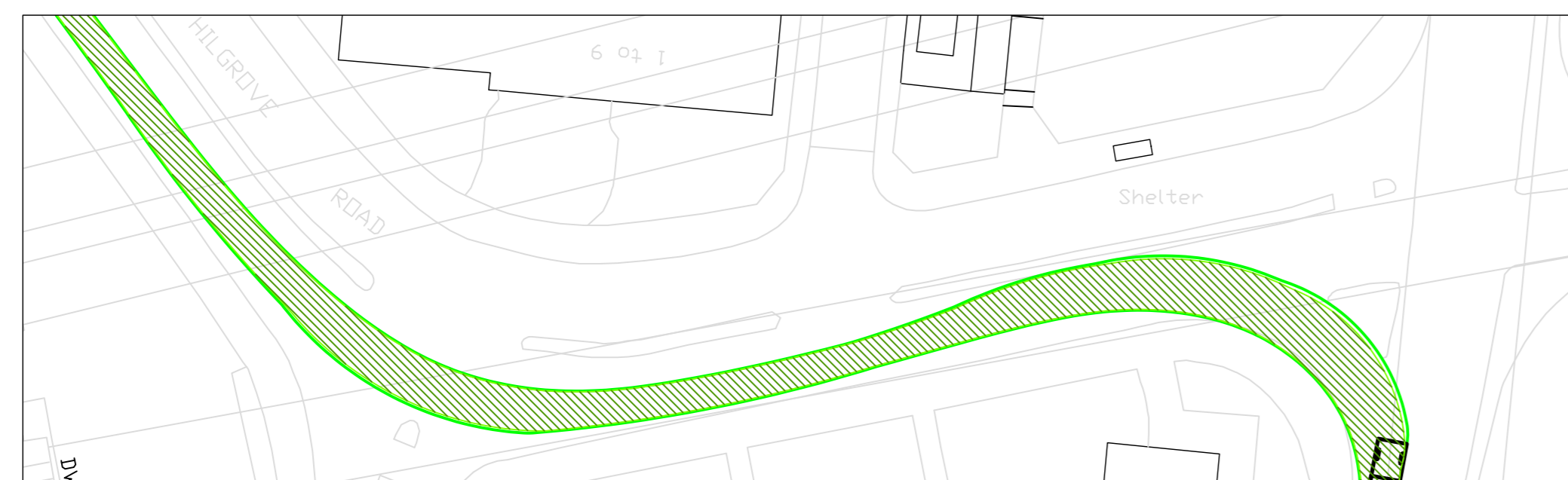
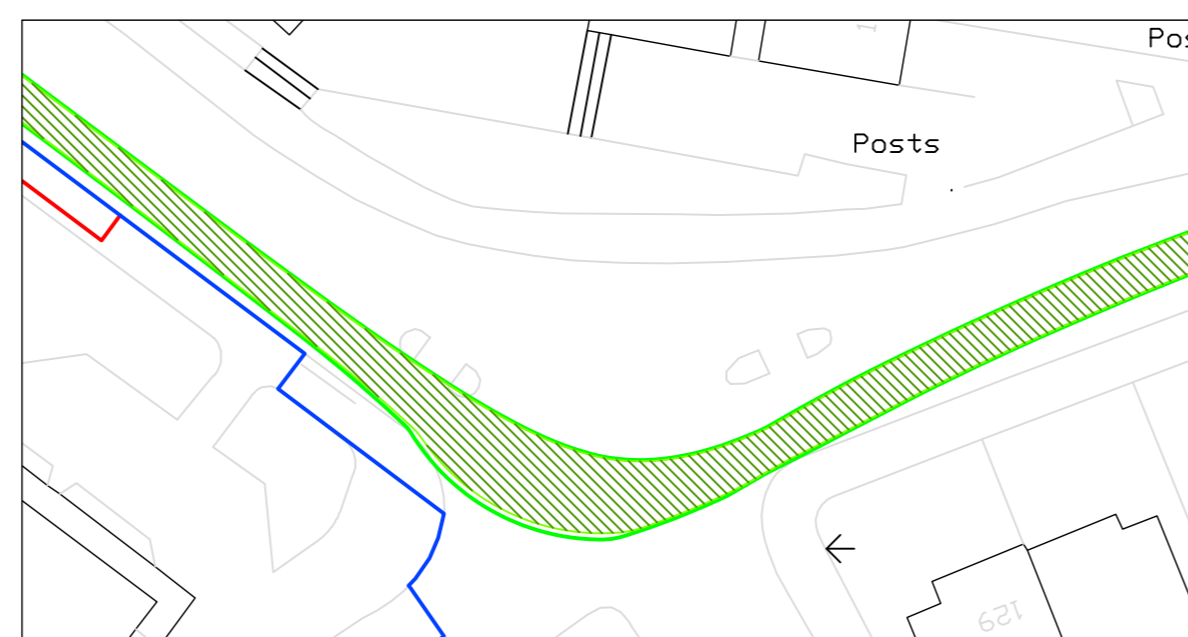


**INBOUND TRACK**  
SCALE 1:1500

**OUTBOUND TRACK**  
SCALE 1:1500



**JUNCTION 1 - INBOUND TRACK**  
SCALE 1:500



**JUNCTION 2 - INBOUND TRACK**  
SCALE 1:500



**JUNCTION 3 - INBOUND TRACK**  
SCALE 1:500



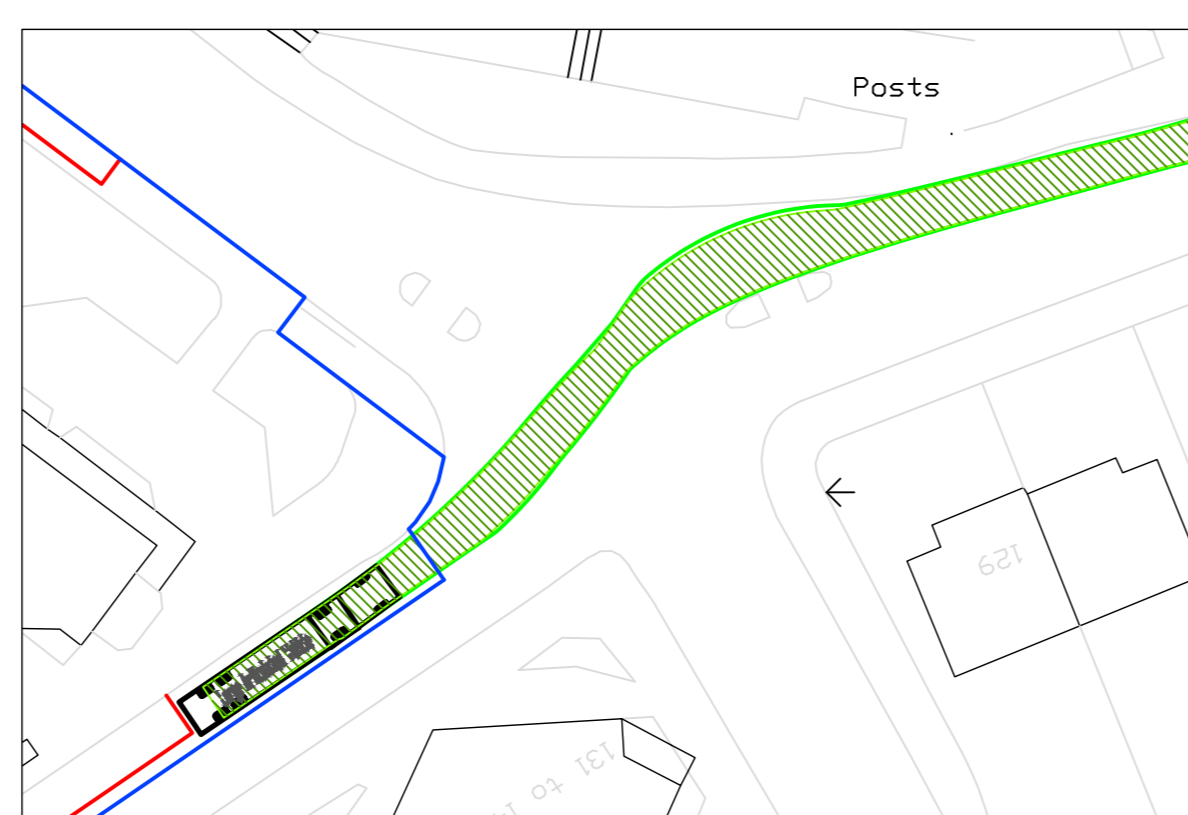
**JUNCTION 4 - INBOUND TRACK**  
SCALE 1:500



**JUNCTION 5 - INBOUND TRACK**  
SCALE 1:500



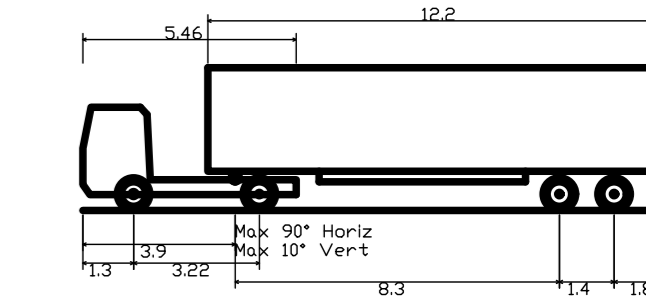
**JUNCTION 1 - OUTBOUND TRACK**  
SCALE 1:500



**JUNCTION 2 - OUTBOUND TRACK**  
SCALE 1:500

**General Notes**

1. This drawing is to be read in conjunction with all relevant Architect's and engineers drawings and specifications.
2. This drawing is only to be scaled from for the purposes of estimating and approximate sizing only. If exact dimensions are relied upon, written dimensions supercede any scaled dimension. Overall setting out is to Architect's details and this drawing therefore should be read in conjunction with their information.
3. All waterproofing, drainage, levels and finishes by others.
4. All temporary works by others.
5. Fire protection to Architect's details.
6. All dimensions are in mm unless noted otherwise.
7. All levels are in m unless noted otherwise



Large Articulated Vehicle	15.400m
Overall Length	15.400m
Overall Width	2.520m
Overall Body Height	3.650m
Min Body Ground Clearance	0.400m
Max Track Width	2.577m
Lock to lock time	6.00s
Kerb to Kerb Turning Radius	6.610m

**45 FOOT ARTICULATED LORRY**

P01	Stage 4 - Technical Design Issue	26/04/22	IJ
Rev	Comments	Date	Chkd

Status  
Stage 4 - Technical Design

**Lyons O'Neill**  
Structural Engineers

5 Maidstone Mews  
72-76 Borough High Street  
London  
SE1 1GN

+44 (20) 7223 7222  
info@lyonsoneill.co.uk  
lyonsoneill.co.uk

Project  
**ABBEY ROAD**

LON Project No. - **22067**

Subject  
**45ft Articulated Lorry  
Vehicle Tracking**

Scale @ A1  
As Shown

By	Checked	
IS	IJ	
Drawing No.	Rev	Issue Date
22067-LON-ZZ-00-DR-C-9900	P01	26/04/22