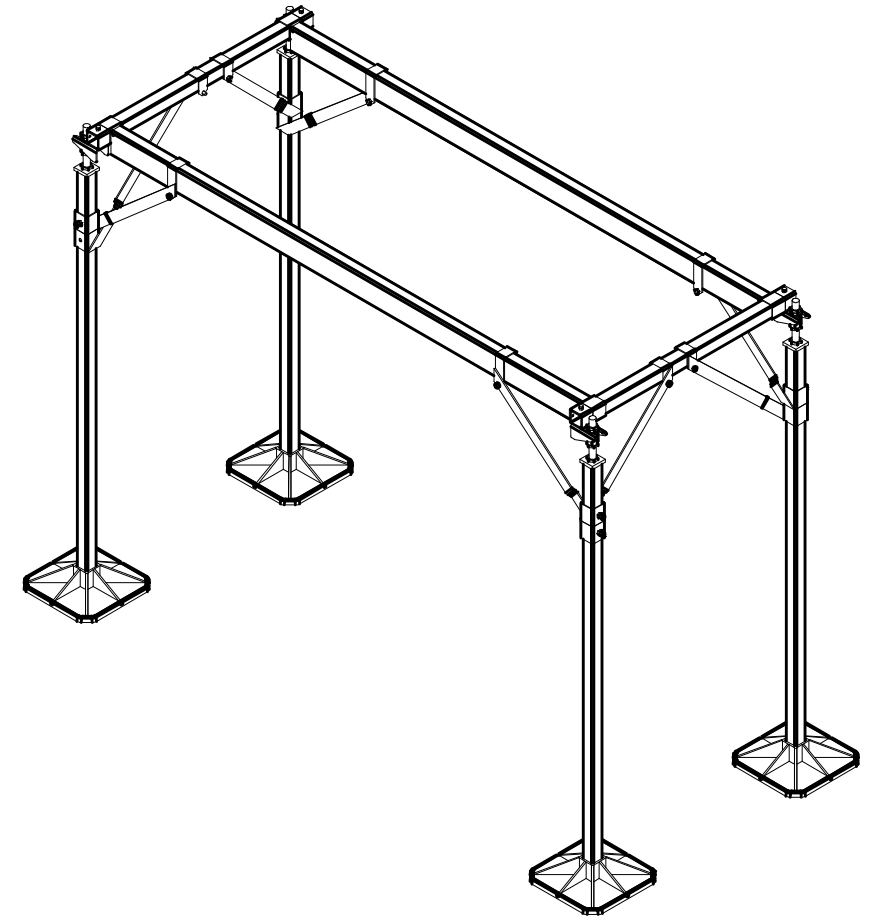
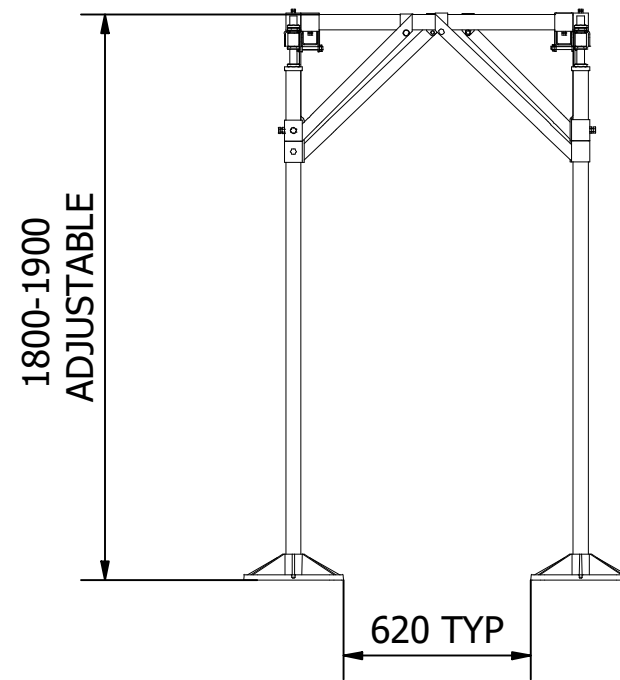
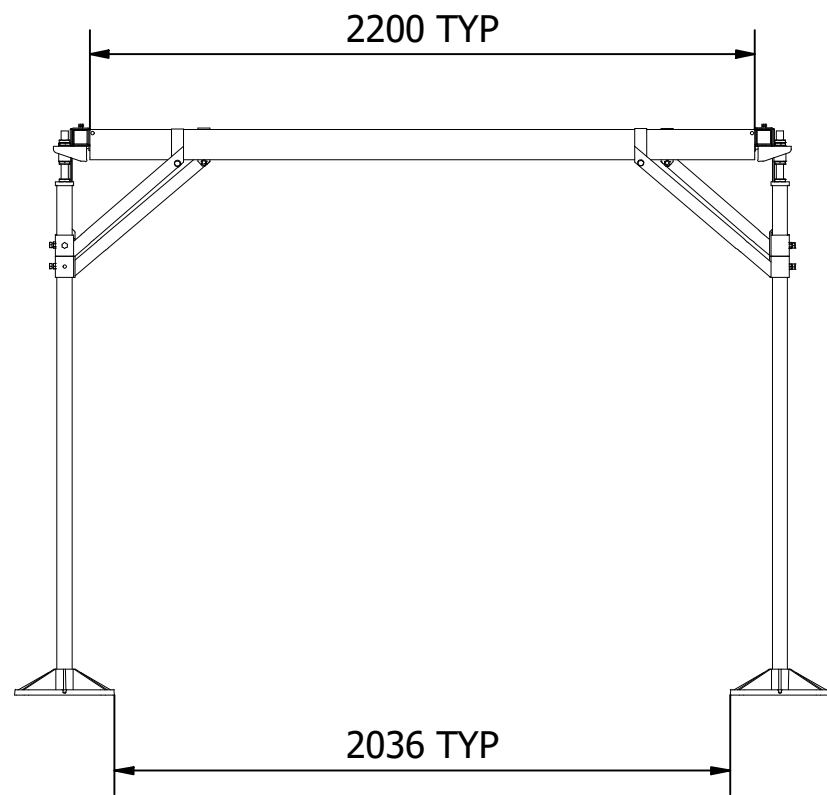
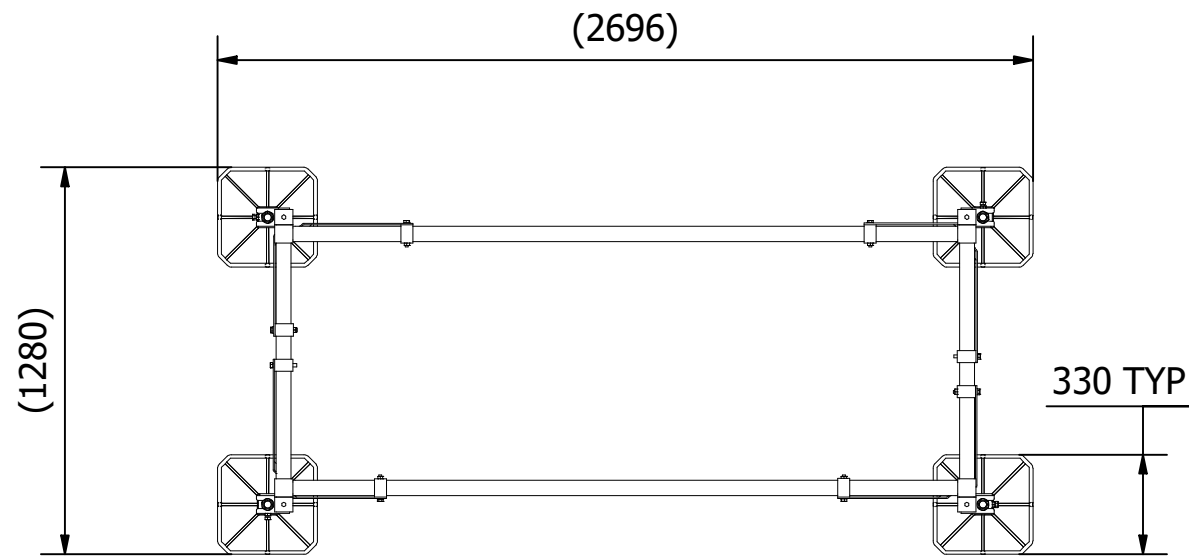


PROJECT REF:	INTERNAL ENVIRONMENTS
UNIT REF:	CU
FOOT PRESSURE:	8.12kN/m ²
UDL:	0.91kN/m ²

Material grade: BS EN 10219-1:2006 (S235JR). Welding standard: BS EN ISO 15614-1: 2016. Galvanizing standard: BS EN ISO 1461:2009
 Reference specification document "Custom Fabrication Specification" (BF-SPEC-050411) for further information
 Reference specification document "Big Foot Systems Steel Specification (BF-SPEC-230610) for further information

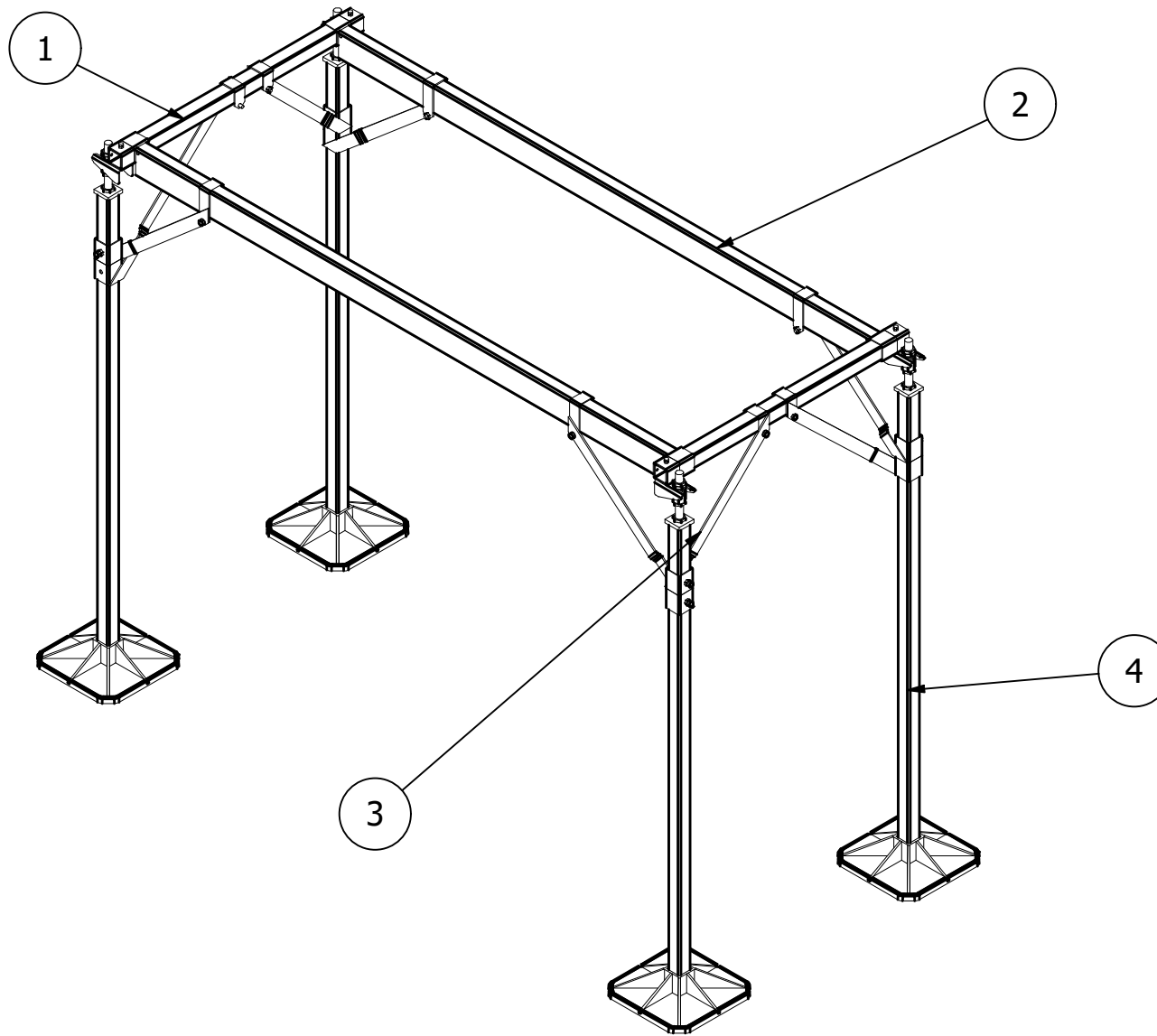


Installation and application considerations should include health, safety and environmental needs, regulations and standards, codes of practice, climate conditions, installation location, product orientation, evaluation of the roof structure, composition, surface and condition, ancillary and complimentary products and materials. Big Foot Systems recommend that all rooftop products are handled and installed by suitably qualified persons. All scheme designs are based on the use of Big Foot Systems' products and materials only. Terms and conditions available on request	REV A	DATE:	13/09/2022	SCALE:	1:25	A3	TITLE:	1.0M x 2.2M WITH 4NO. FEET
		DRAWN:	M.COLBY	DIMENSIONS IN mm U.O.S			DWG No.	
		CHECKED:	S.BIRCH	TOLERANCES: 0.0 ± 0.5mm U.O.S			BF15141-001.dwg	
	 3rd ANGLE PROJECTION		SHEET 1 OF 2		THIS DRAWING IS COPYRIGHT AND THE PROPERTY OF BIG FOOT SYSTEMS LIMITED			




PROJECT REF:	INTERNAL ENVIRONMENTS
UNIT REF:	CU
FOOT PRESSURE:	8.12kN/m2
UDL:	0.91kN/m2

Material grade: BS EN 10219-1:2006 (S235JR). Welding standard: BS EN ISO 15614-1: 2016. Galvanizing standard: BS EN ISO 1461:2009
 Reference specification document "Custom Fabrication Specification" (BF-SPEC-050411) for further information
 Reference specification document "Big Foot Systems Steel Specification (BF-SPEC-230610) for further information



PARTS LIST			
ITEM	QTY	PART NUMBER	DESCRIPTION
1	2	B6053E-001	1.0m 50x50 END BAR
2	2	B6750-001	2.2m 100x50 CROSS BAR
3	1	B4103	
4	4	1800-1900mm Leg Assembly	305mm HD LEG

Installation and application considerations should include health, safety and environmental needs, regulations and standards, codes of practice, climate conditions, installation location, product orientation, evaluation of the roof structure, composition, surface and condition, ancillary and complimentary products and materials. Big Foot Systems recommend that all rooftop products are handled and installed by suitably qualified persons. All scheme designs are based on the use of Big Foot Systems' products and materials only. Terms and conditions available on request

REV A	DATE:	13/09/2022
	DRAWN:	M.COLBY
	CHECKED:	S.BIRCH
 3rd ANGLE PROJECTION		

SCALE: 1:25
 DIMENSIONS IN mm U.O.S
 TOLERANCES: 0.0 ± 0.5mm U.O.S
 SHEET 2 OF 2

A3

TITLE: 1.0M x 2.2M WITH 4NO. FEET
DWG No. BF15141-001.dwg
THIS DRAWING IS COPYRIGHT AND THE PROPERTY OF BIG FOOT SYSTEMS LIMITED

