

SCOPE OF WORKS TO BE UNDERTAKEN

To supply and fix to previously prepared openings.

Aluminium entrance frame fabricated using thermally Senior Architectural SPW600 sections. Incorporating doors and fixed glazed panels. Manually operated doors will be complete with factory fitted threshold plate and black handles. Doors and panels will be finished with glazing bars.

Materials

Extruded aluminium is Aluminium Alloy 6063.T6 to BS EN 755 part 9:2008.

Powder Coating is to BS EN 12206-1:2004.

Gasketry is manufactured in accordance with gasket tolerances BS3734.

Note:

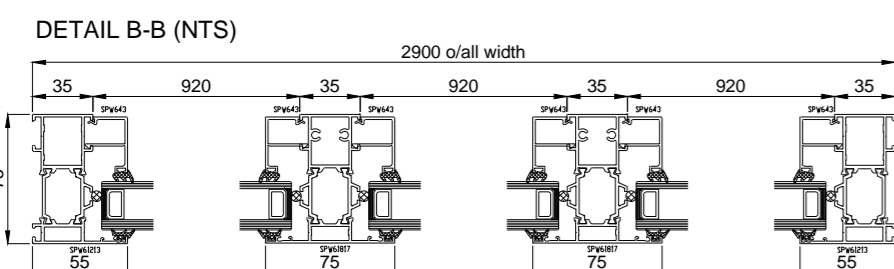
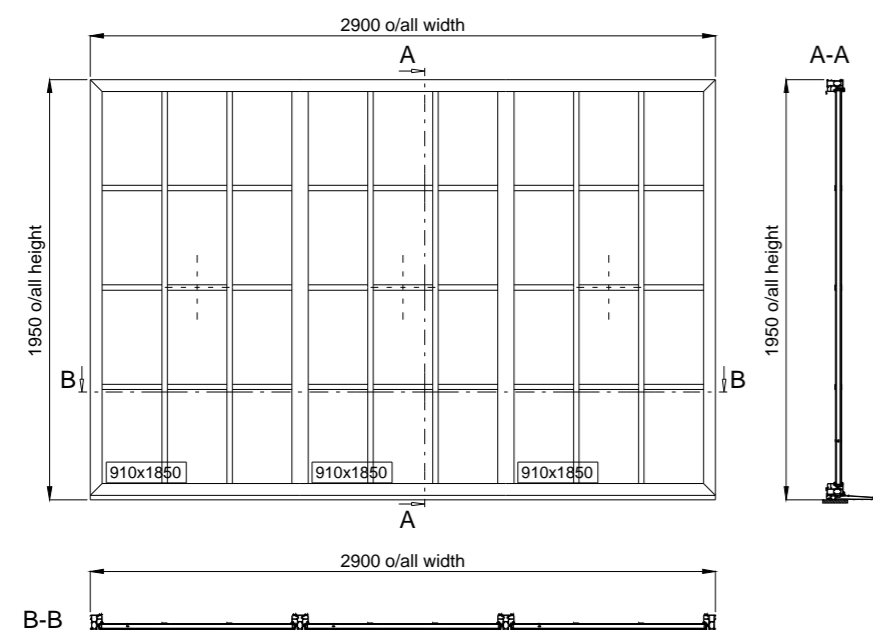
All Glazing should be carried out to the recommendations of BS6262.

Powder coated RAL 9005 MATT

Glass  
All double glazed 28mm units  
6mm clear toughened inner,  
6.4mm clear laminated outer

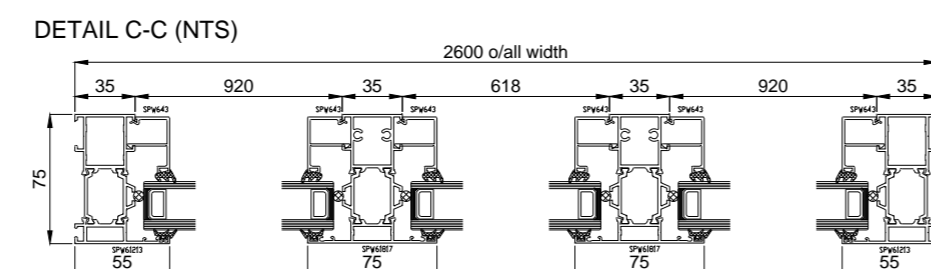
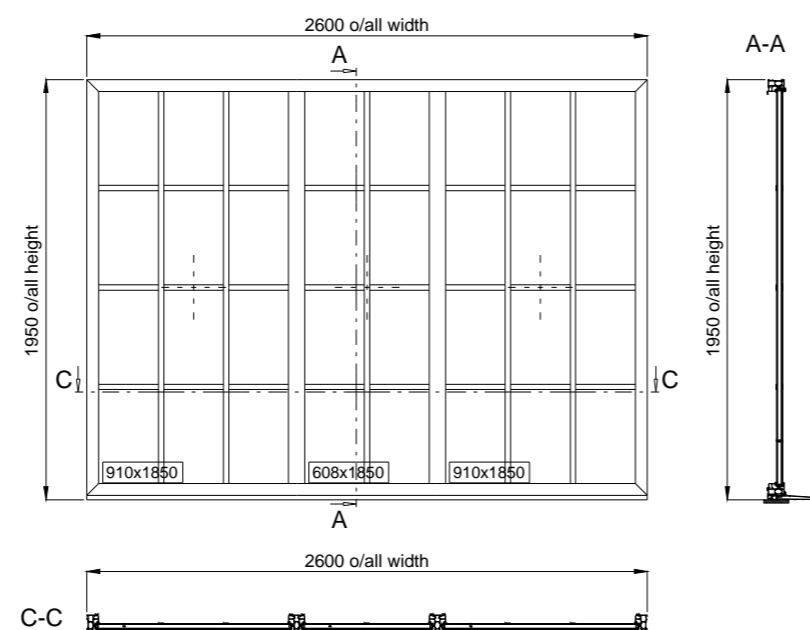
Pos. Window Type A, Quantity: 4

Job: J5174 Charles Evans, White Bear Yard, London  
System: Senior SPW 600



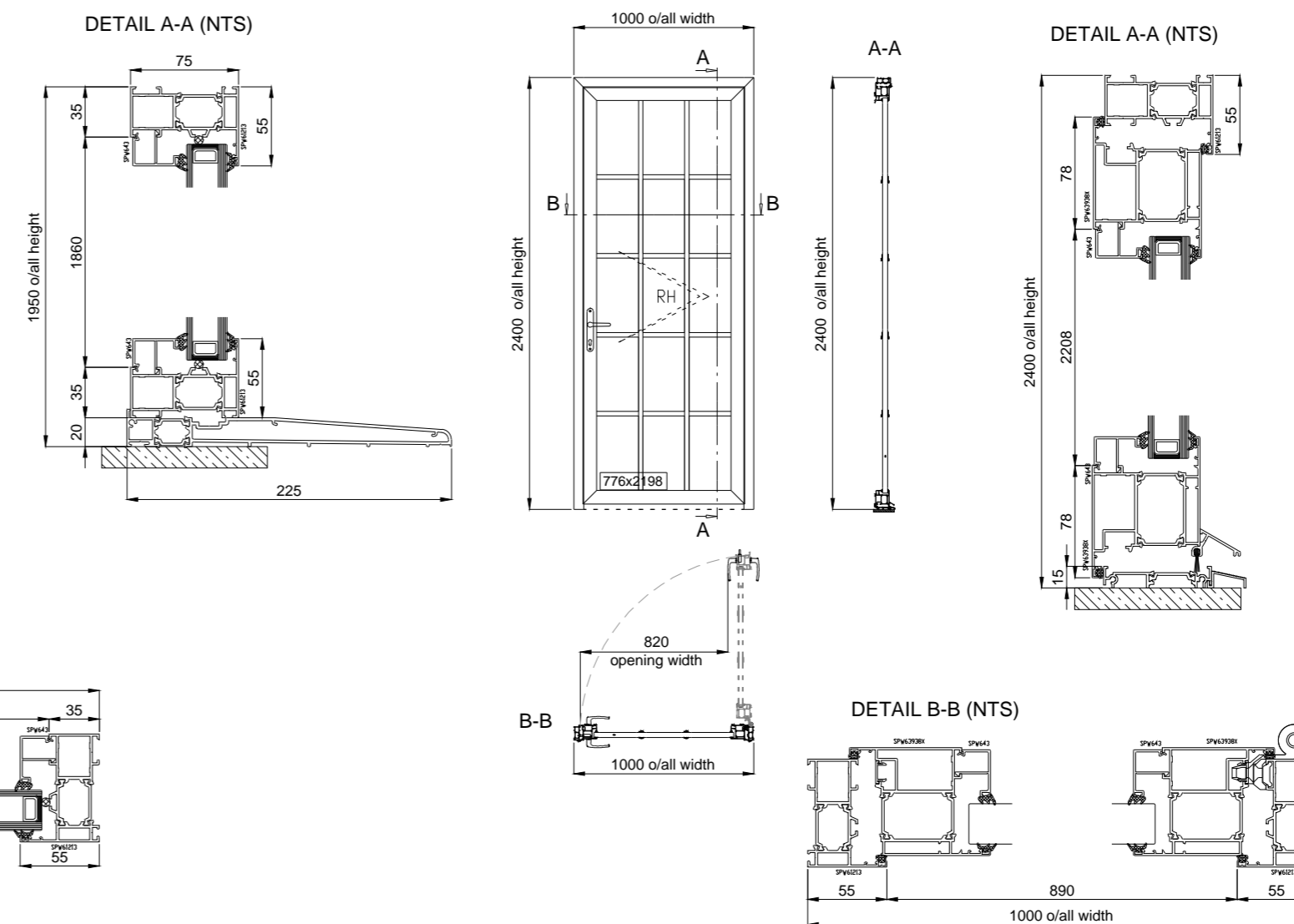
Pos. Window Type B, Quantity: 1

Job: J5174 Charles Evans, White Bear Yard, London  
System: Senior SPW 600



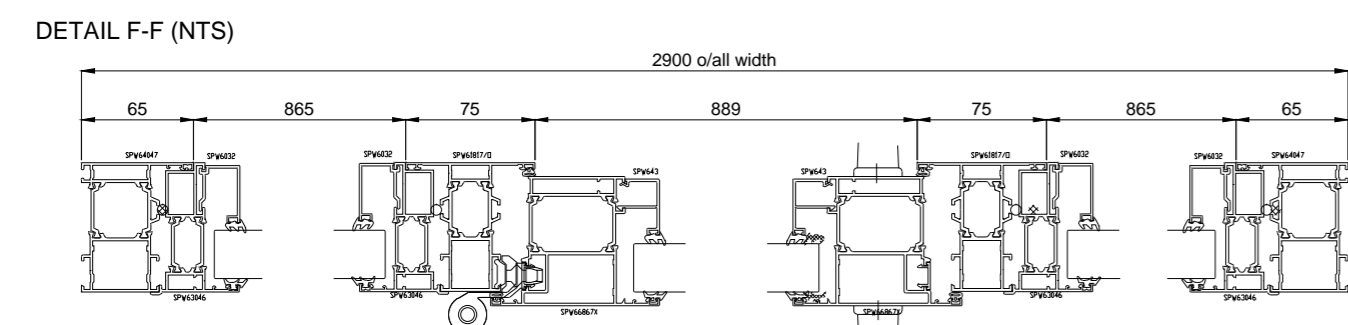
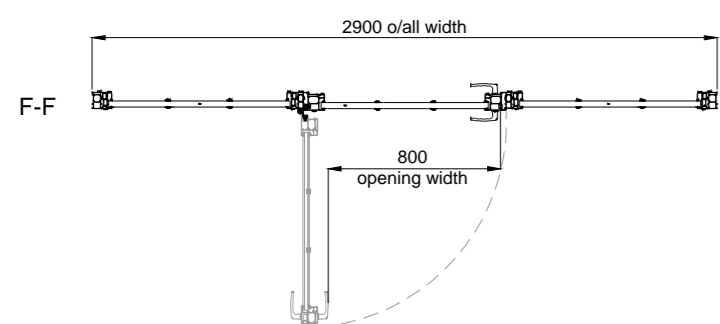
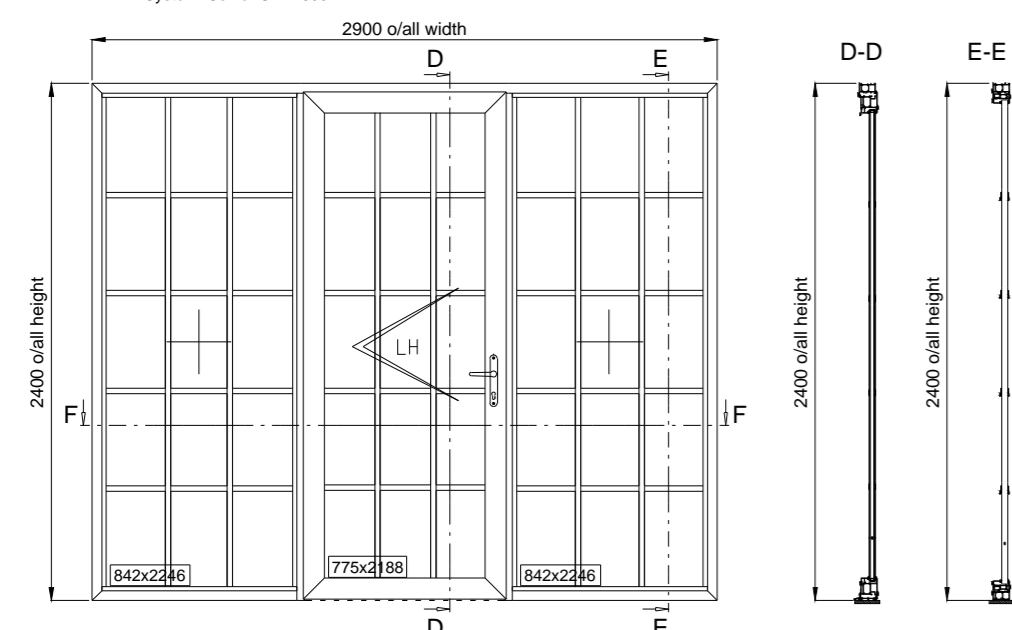
Additional Door, Quantity: 1

Job: J5174 Charles Evans, White Bear Yard, London  
System: Senior SPW 600

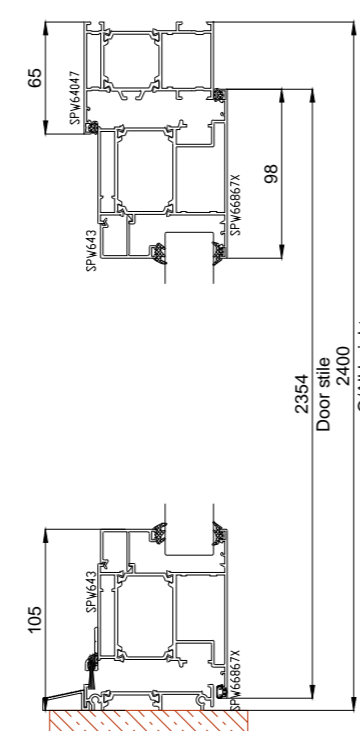


Pos. Window Type C, Quantity: 2

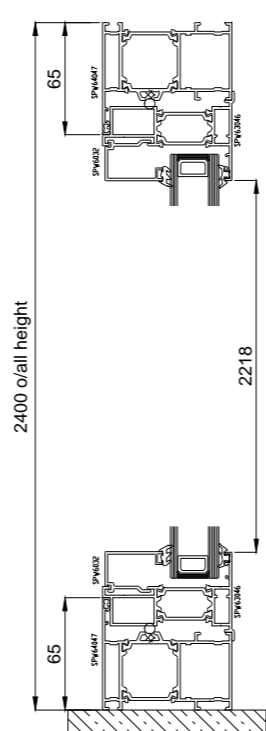
Job: J5174 Charles Evans, White Bear Yard, London  
System: Senior SPW 600



DETAIL D-D (NTS)

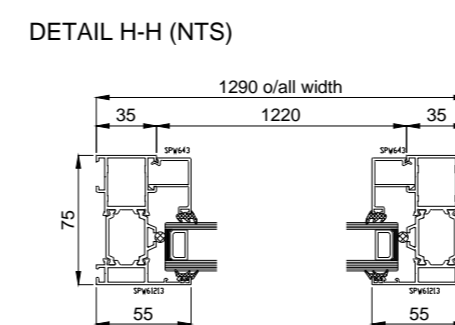
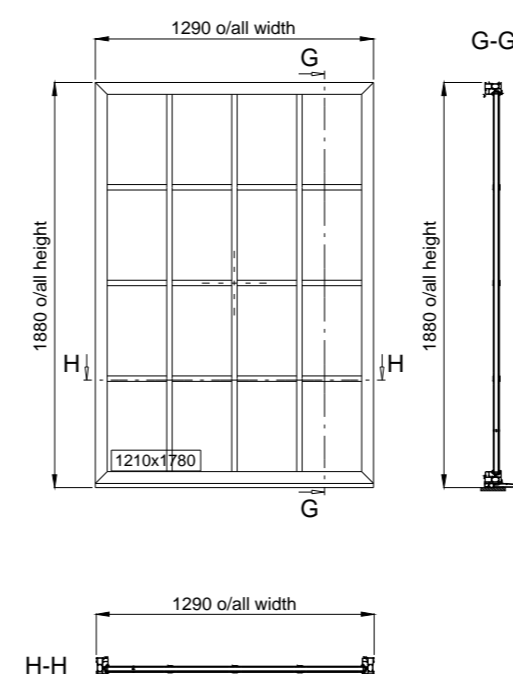


DETAIL E-E (NTS)

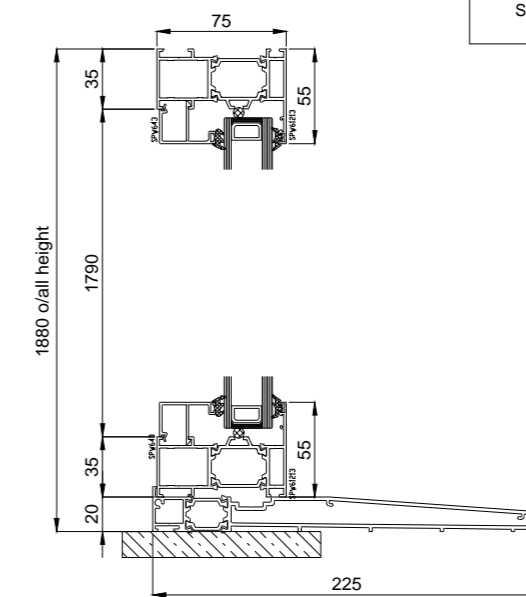


Pos. Window Type D, Quantity: 1

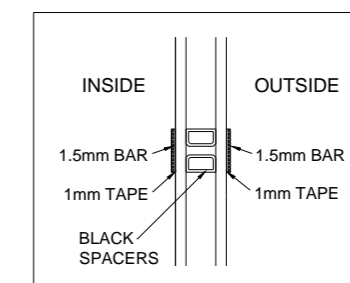
Job: J5174 Charles Evans, White Bear Yard, London  
System: Senior SPW 600



DETAIL G-G (NTS)



GLAZING BAR DETAIL



R1	ADDITIONAL DOOR ADDED	26/08/22	PW	SID
REV1	DESCRIPTION	DATE	BY	CHK



ALUMINIUM SHOPFRONTS, ROLLER SHUTTERS,  
COMMERCIAL WINDOW SYSTEMS  
AUTOMATIC DOOR SPECIALIST

SRL LTD, Unit 1, The Old Dairy, Hill Street,  
Ashton-under-Lyne, Manchester, OL7 0PZ  
Tel : 0161 343 6253 Fax : 0161 3437337  
Email : uk@srltd.co.uk / sales@srltd.co.uk

Drawn: Paul  
Checked: Ryan  
Date: 11/08/22  
Drg. No. J5174-01 r1  
Project: CHARLES EVANS SHOPFITTERS  
WHITE BEAR YARD  
CLERKENWELL  
LONDON, EC1R 5DP