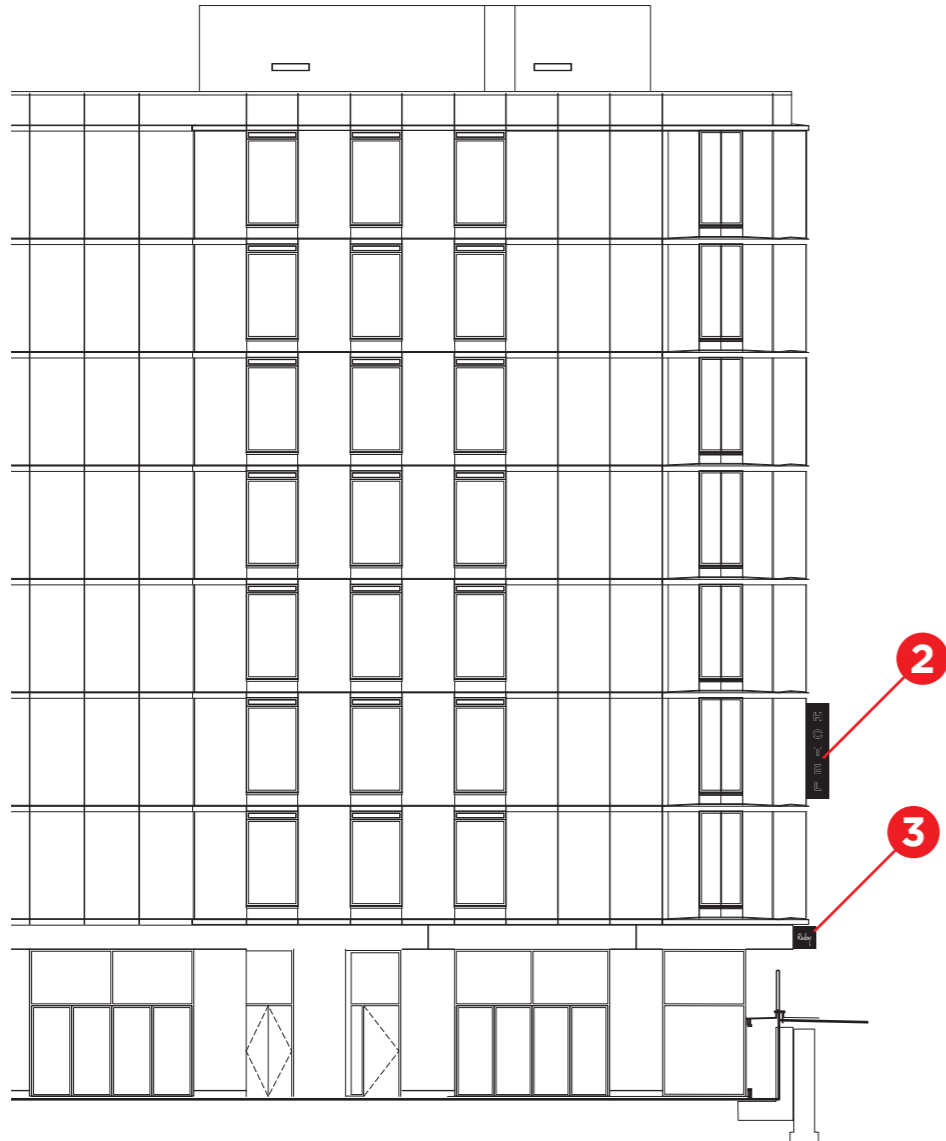
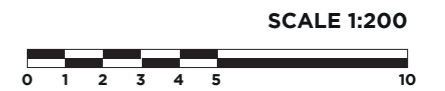
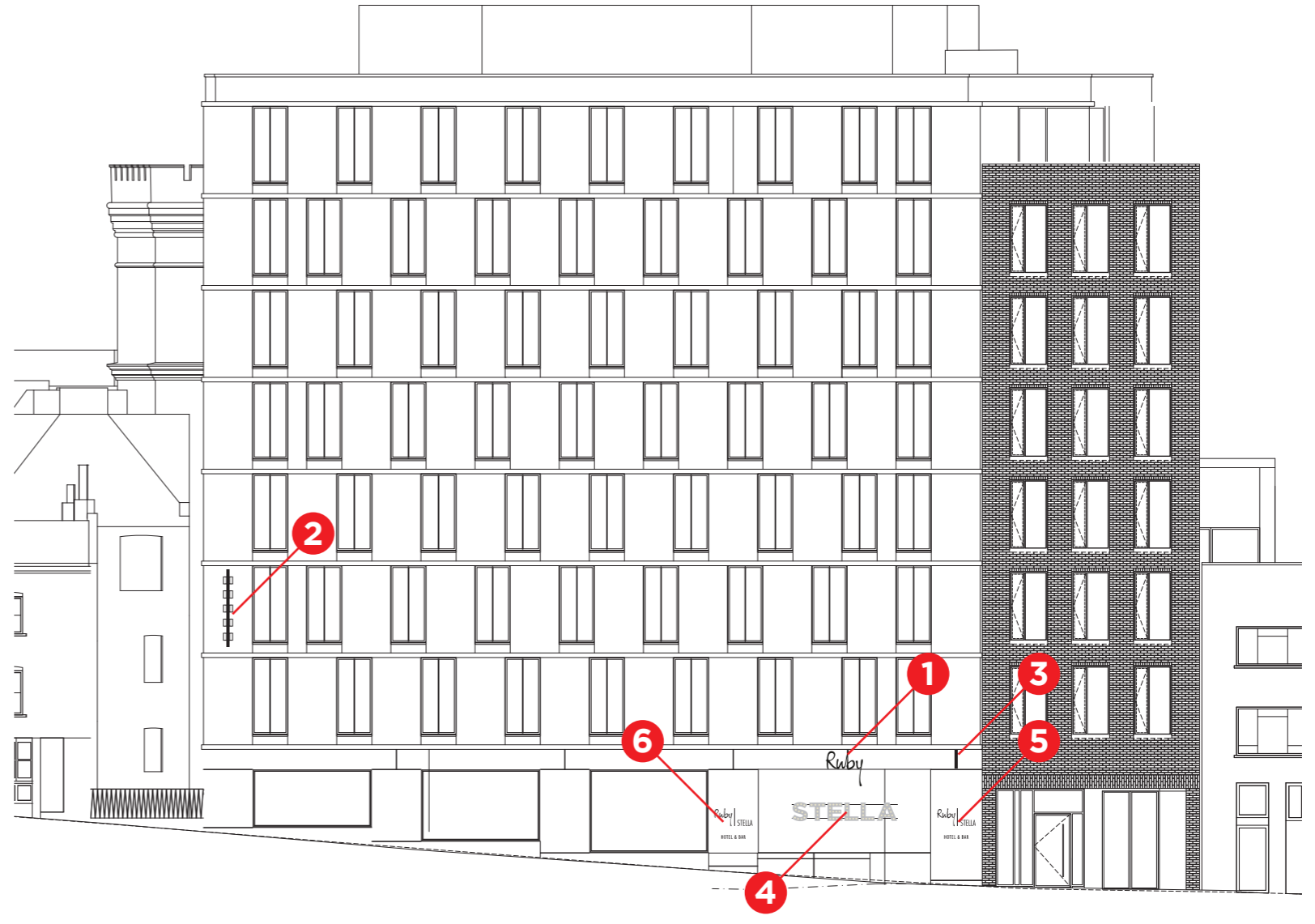


Please check the design carefully. Bespoke commission orders cannot be cancelled once production has started.
 Finished products are non-returnable and non-exchangeable.

1.1 South Elevation
 Scale 1:200



1.2 East Elevation
 Scale 1:200



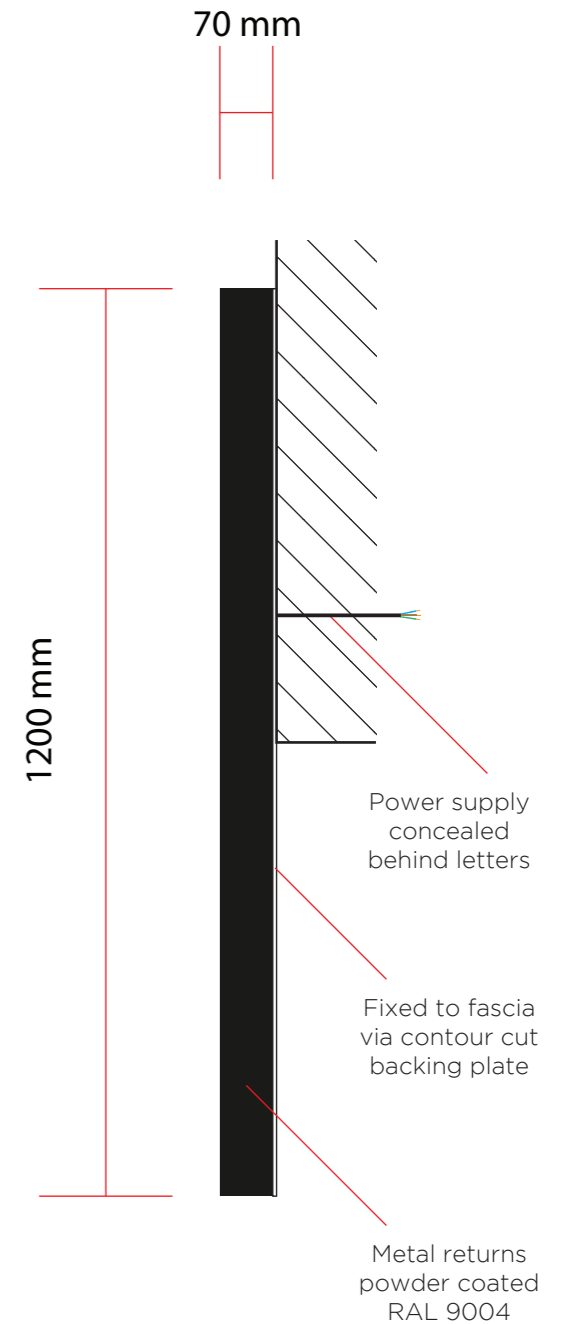
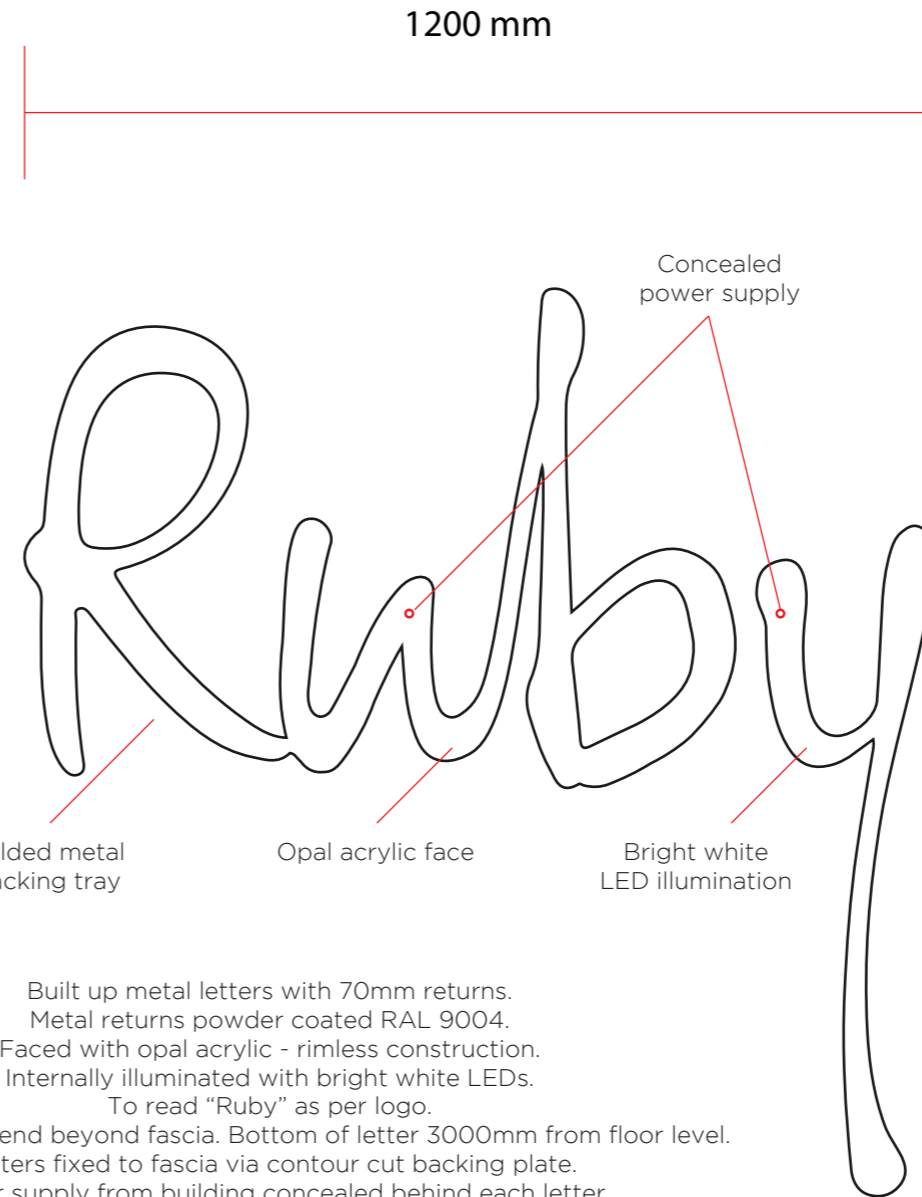
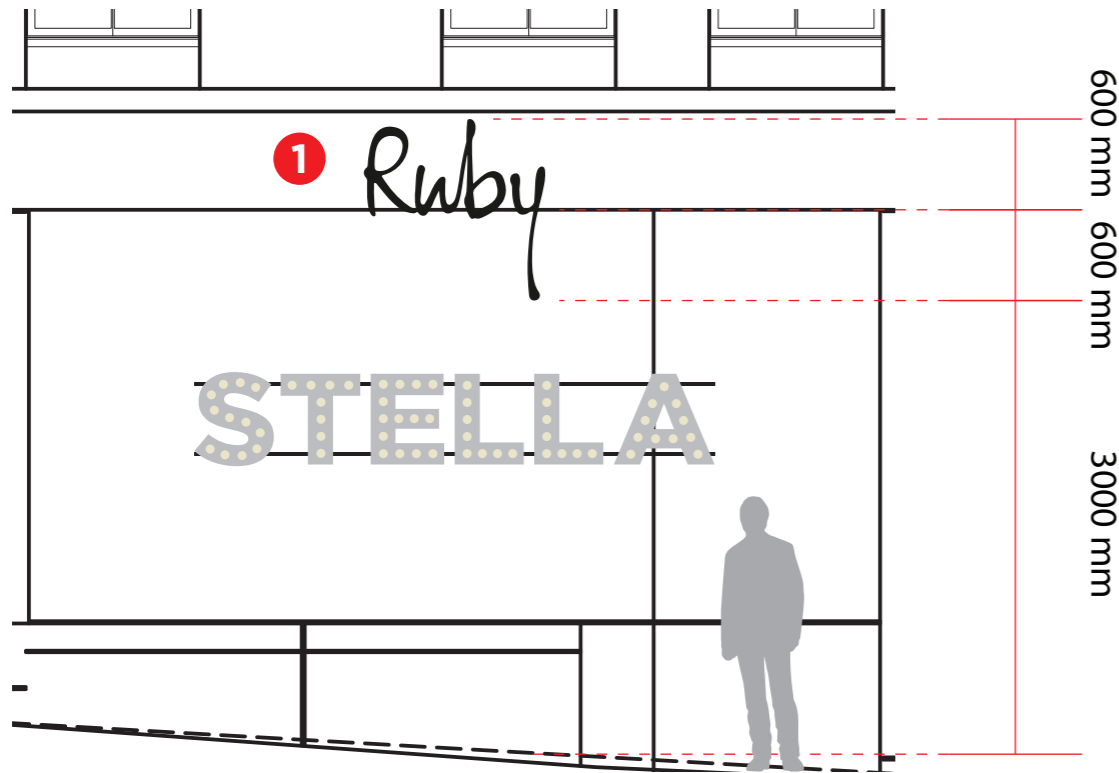
#GGRH01	Rev: 5/3	Page: 01	01/03/2023	SCALE AS SPECIFIED @ A3
External	Signage Positions			GOODWIN & GOODWIN 'SIGNS WITH SOUL'
Drawn by JL	Ruby Hospitality UK LTD			

Please check the design carefully. Bespoke commission orders cannot be cancelled once production has started.
 Finished products are non-returnable and non-exchangeable.

2.1 East Elevation
 Scale 1:50

2.2 Front
 Scale 1:10

2.3 Right
 Scale 1:10



Built up metal letters with 70mm returns.
 Metal returns powder coated RAL 9004.
 Faced with opal acrylic - rimless construction.
 Internally illuminated with bright white LEDs.
 To read "Ruby" as per logo.
 Letter "y" to extend beyond fascia. Bottom of letter 3000mm from floor level.
 Letters fixed to fascia via contour cut backing plate.
 Power supply from building concealed behind each letter.

Quantity x 1

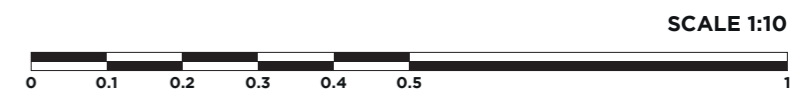
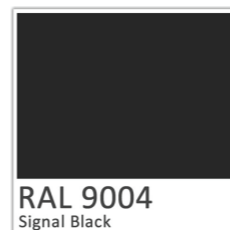
Weight: 15kg max

Light output: 4000lm



SCALE 1:50

Colour swatch

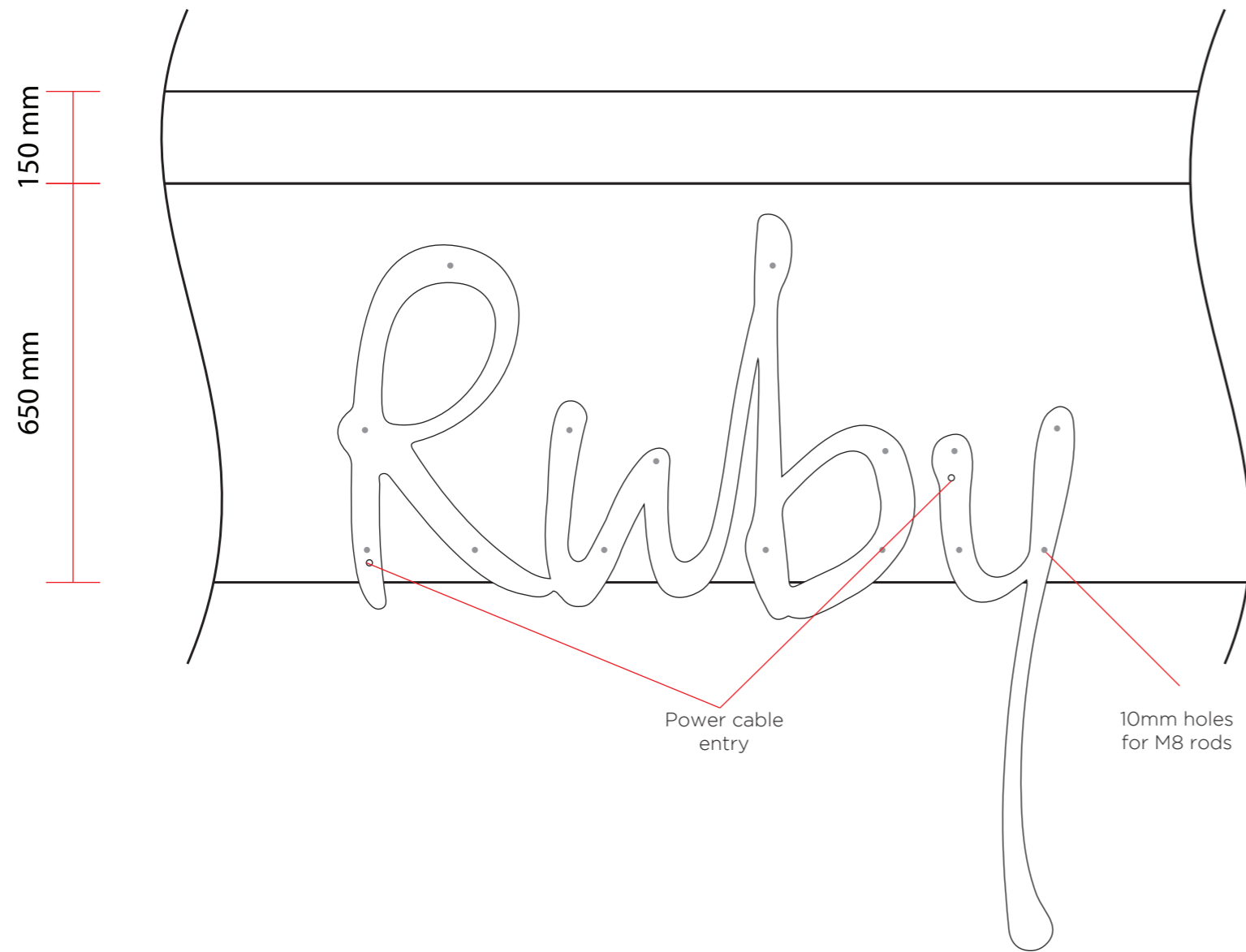


SCALE 1:10

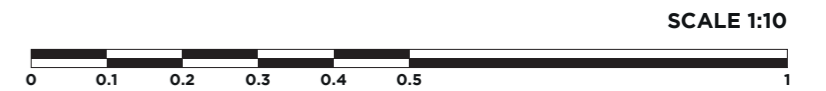
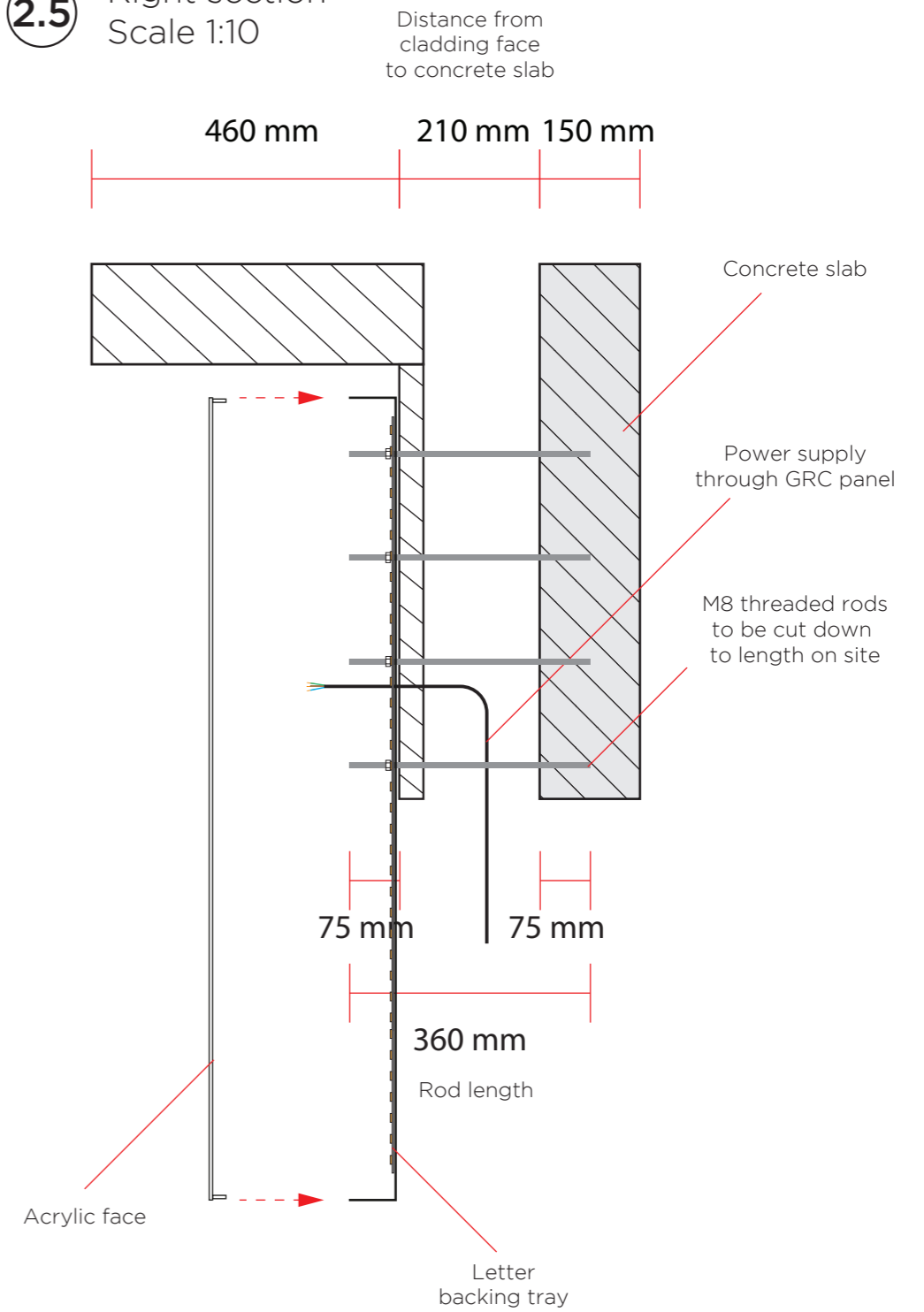
#GGRH01	Rev: 5/3	Page: 02	01/03/2023	SCALE AS SPECIFIED @ A3
External	Position 1: Illuminated Letters			GOODWIN & GOODWIN 'SIGNS WITH SOUL'
Drawn by JL	Ruby Hospitality UK LTD			

Please check the design carefully. Bespoke commission orders cannot be cancelled once production has started.
 Finished products are non-returnable and non-exchangeable.

2.4 Fixing detail
 Scale 1:10



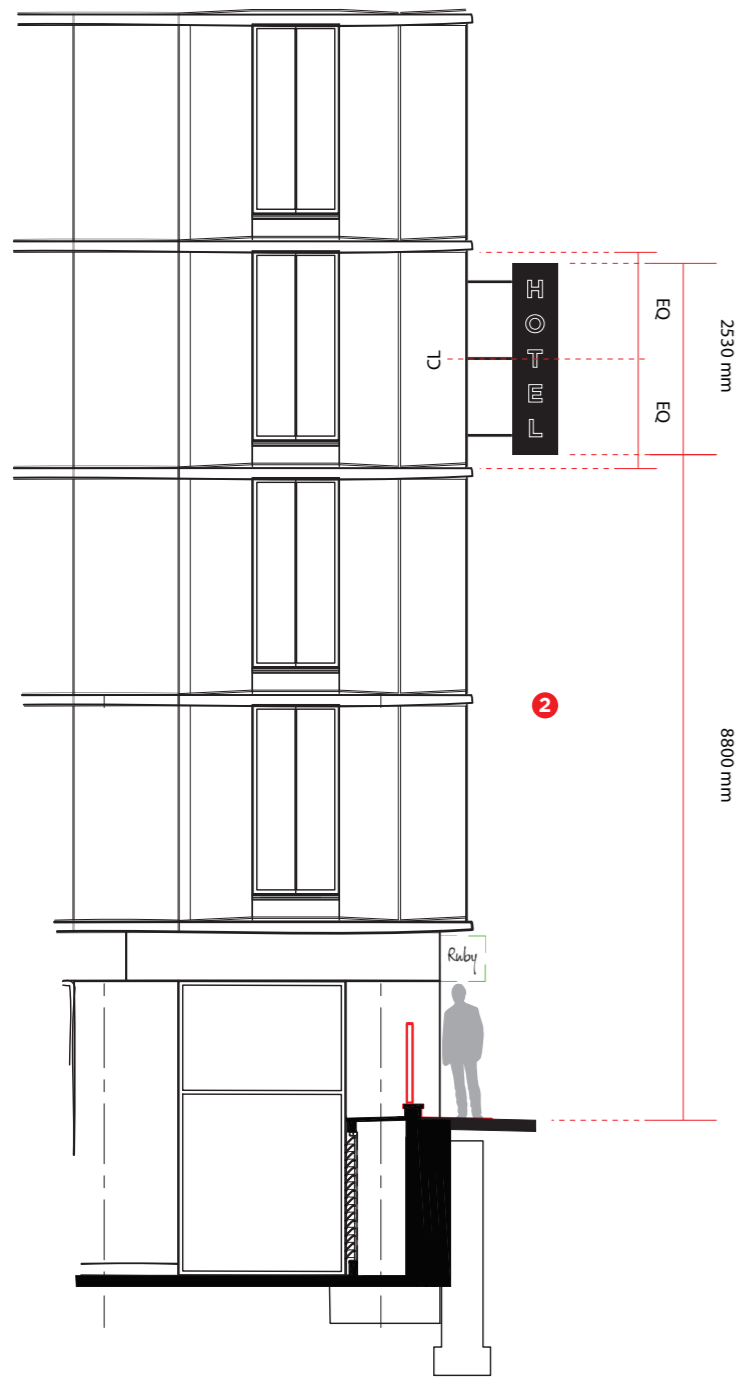
2.5 Right section
 Scale 1:10



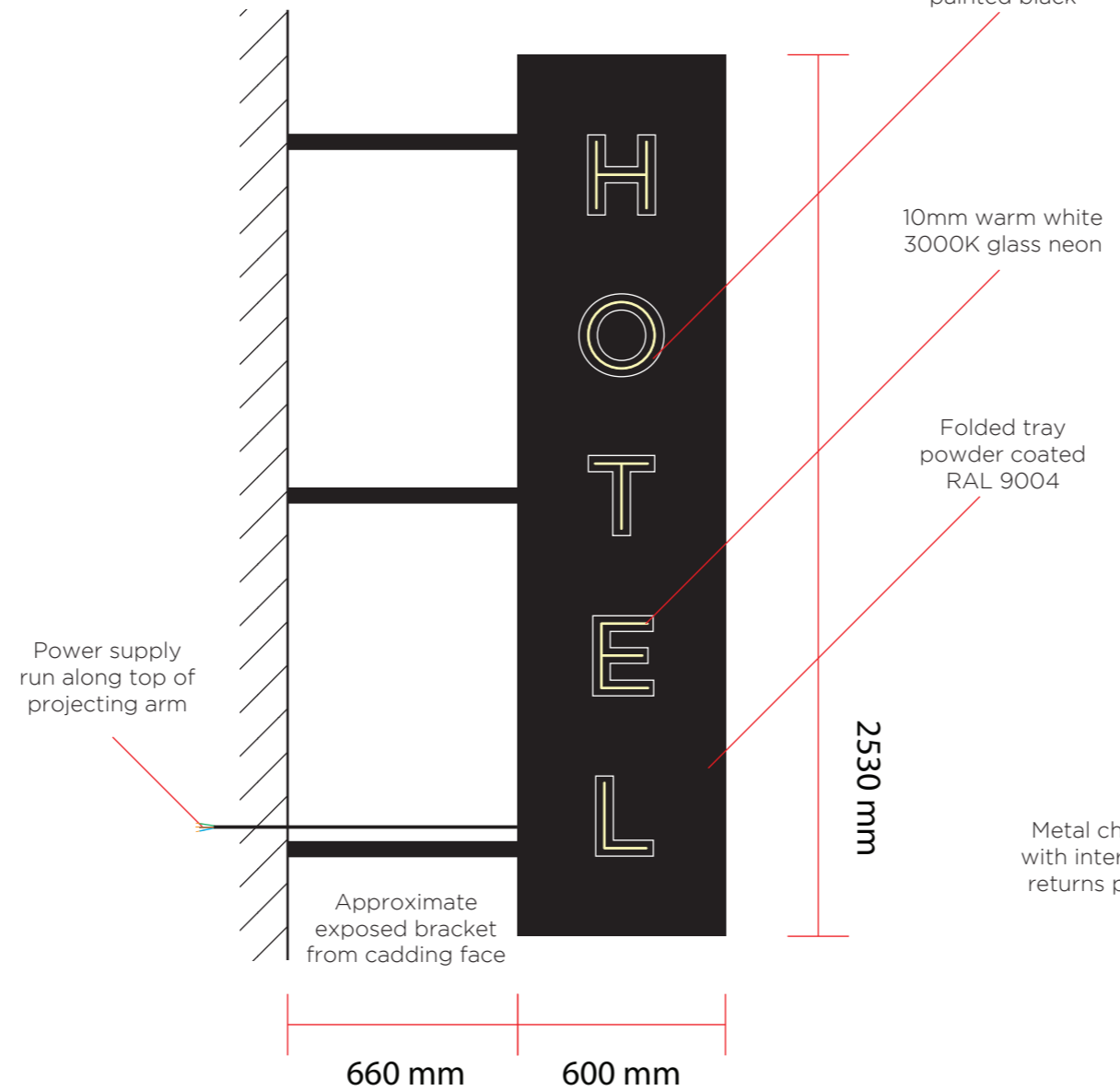
#GGRH01	Rev: 5/3	Page: 03	01/03/2023	SCALE AS SPECIFIED @ A3
External	Position 1: Illuminated Letters			GOODWIN & GOODWIN 'SIGNS WITH SOUL'
Drawn by JL	Ruby Hospitality UK LTD			

Please check the design carefully. Bespoke commission orders cannot be cancelled once production has started.
 Finished products are non-returnable and non-exchangeable.

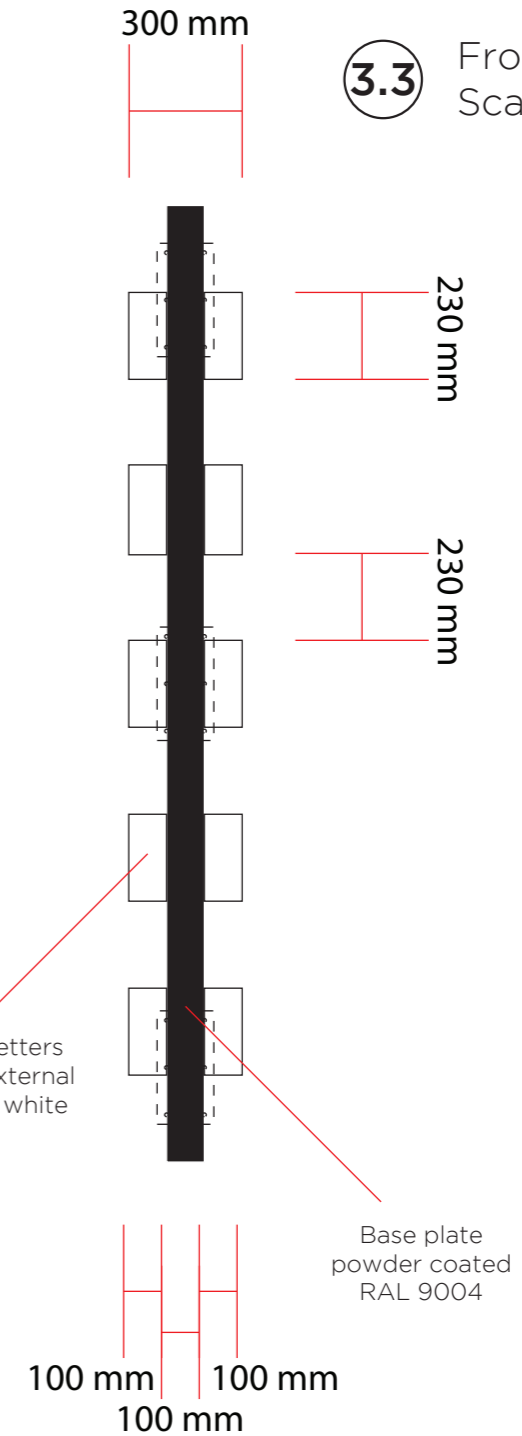
3.1 South Elevation
 Scale 1:50



3.2 Left
 Scale 1:20



3.3 Front
 Scale 1:20



Built up metal tray, double sided, with 100mm returns, powder coated RAL 9004.
 Faced to both sides with channel letters, powder coated white.
 Inlaid with 10mm glass neon, warm white (3000K). To read "HOTEL".
 Sign tray fixed to SFS with 50mm box steel and 10mm welded base plate.
 Brackets to be fixed prior to cladding installation to project 1800mm (W).
 To create 600mm projection from side of building. Signage to sit central to wall area.
 To be fixed at 3rd floor. Bottom of sign to be 8800mm from ground level.
 Neon transformers, cabling and power supply concealed within tray.
 Double sided tray to fix over bracket using concealed angle fixings (see pg4).

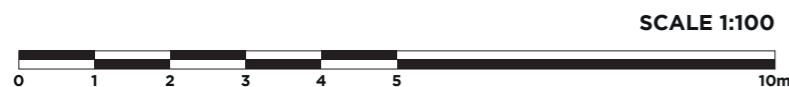
Weight: 100kg max

Light output: 3360lm per side

SCALE 1:20



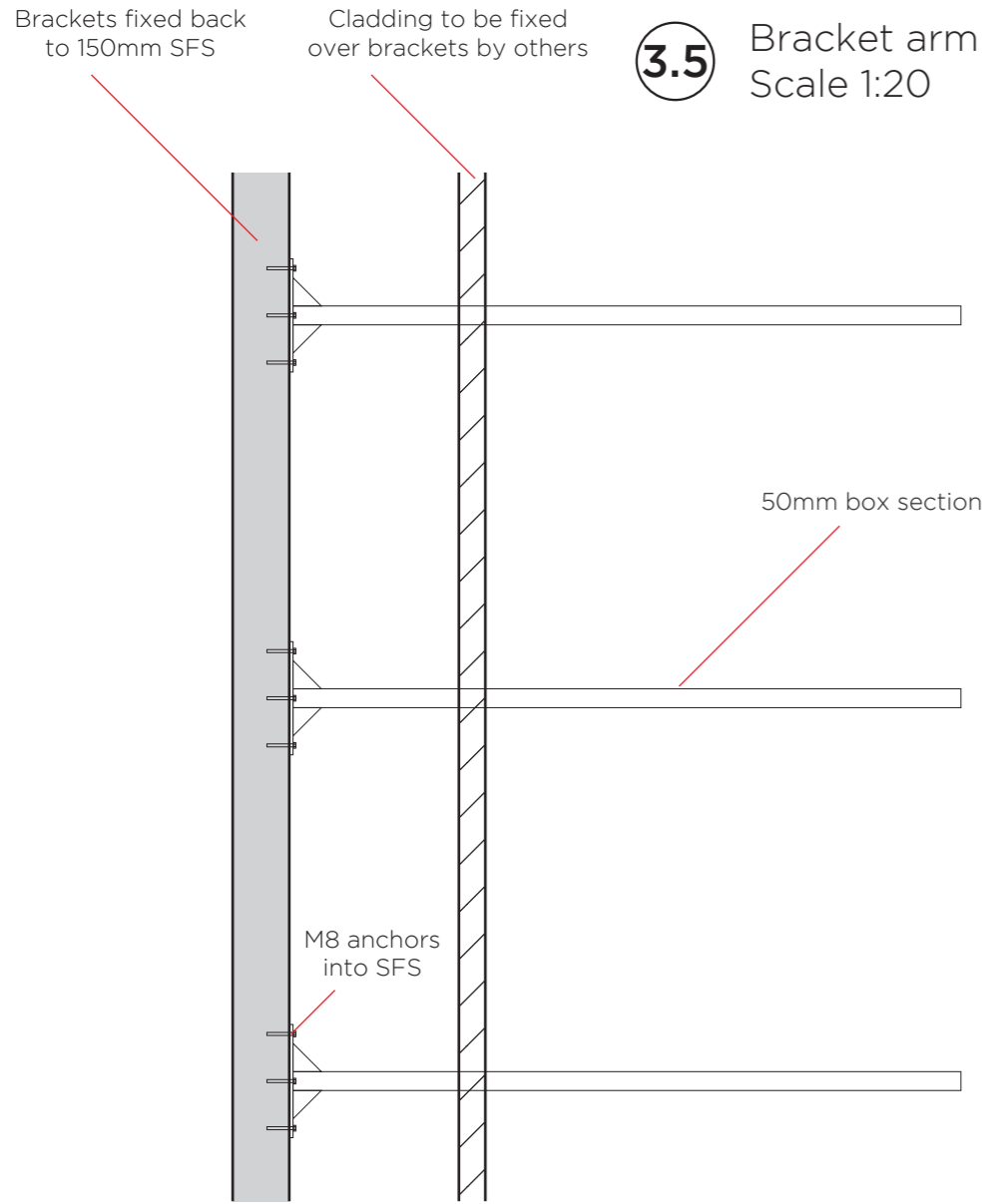
Quantity x 1



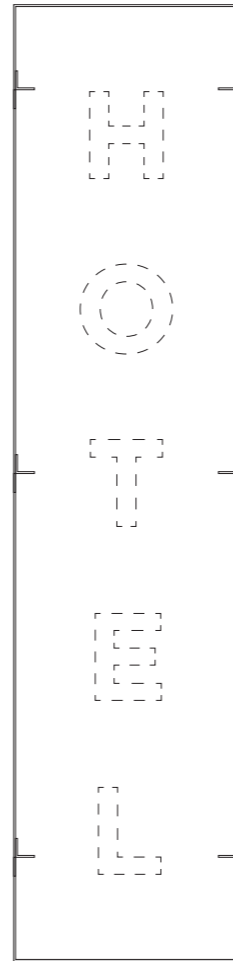
#GGRH01	Rev: 5/3	Page: 04	01/03/2023	SCALE AS SPECIFIED @ A3
External	Position 2: Projecting Neon Sign			GOODWIN & GOODWIN 'SIGNS WITH SOUL'
Drawn by JL	Ruby Hospitality UK LTD			

Please check the design carefully. Bespoke commission orders cannot be cancelled once production has started.
 Finished products are non-returnable and non-exchangeable.

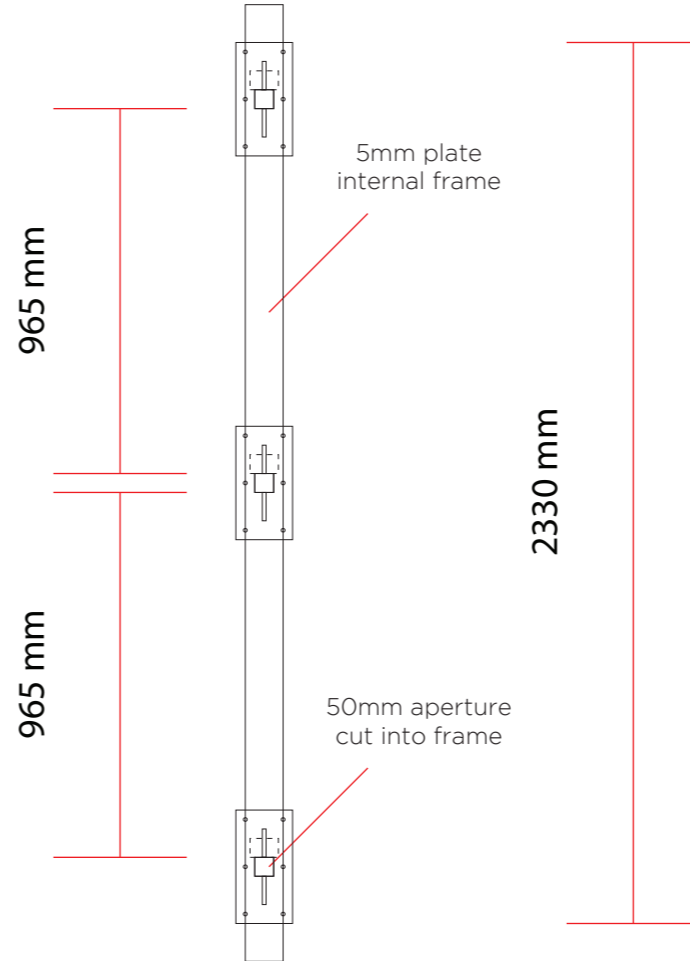
3.5 Bracket arm
 Scale 1:20



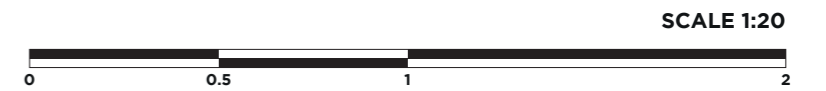
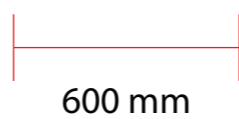
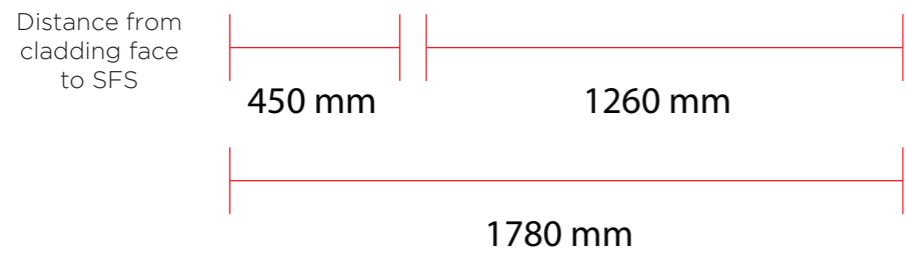
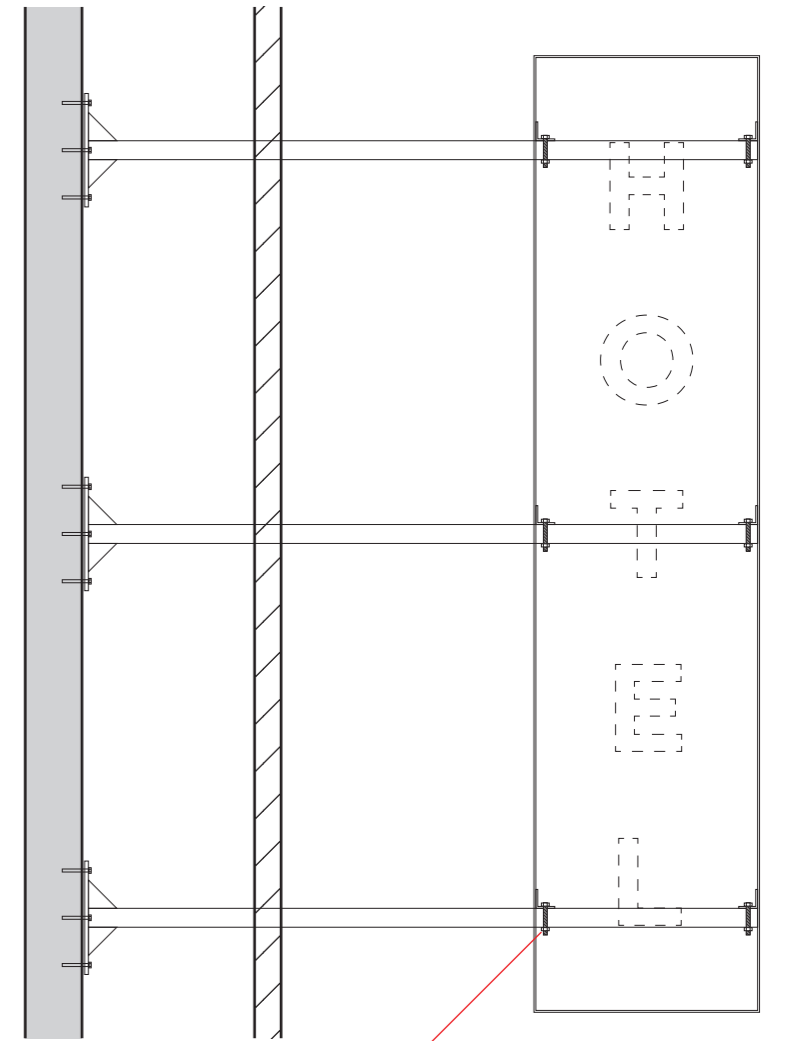
3.7 Frame front
 Scale 1:20



3.8 Frame side
 Scale 1:20



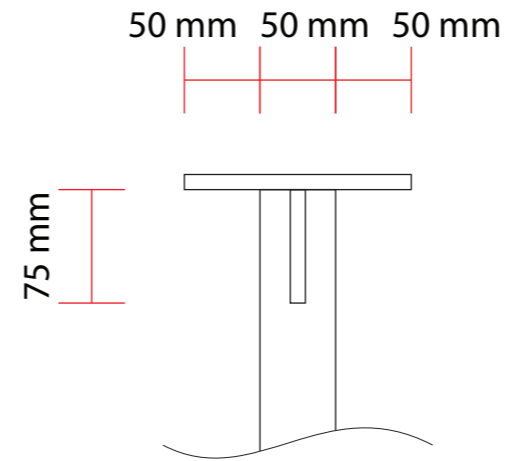
3.9 Assembled
 Scale 1:20



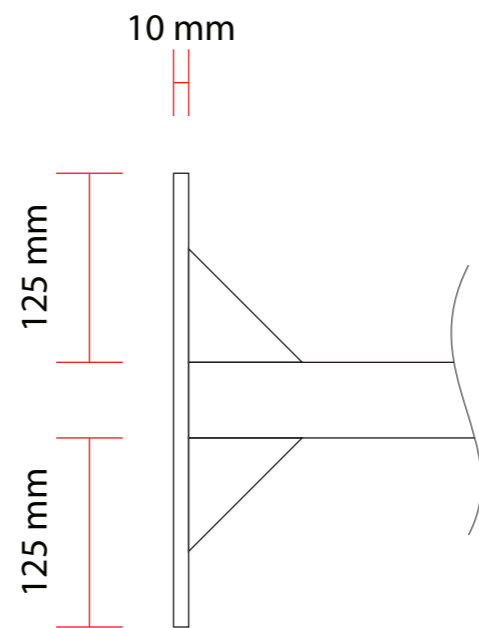
#GGRH01	Rev: 5/3	Page: 05	01/03/2023	SCALE AS SPECIFIED @ A3
External	Position 2: Projecting Neon Sign			GOODWIN & GOODWIN 'SIGNS WITH SOUL'
Drawn by JL	Ruby Hospitality UK LTD			

Please check the design carefully. Bespoke commission orders cannot be cancelled once production has started.
 Finished products are non-returnable and non-exchangeable.

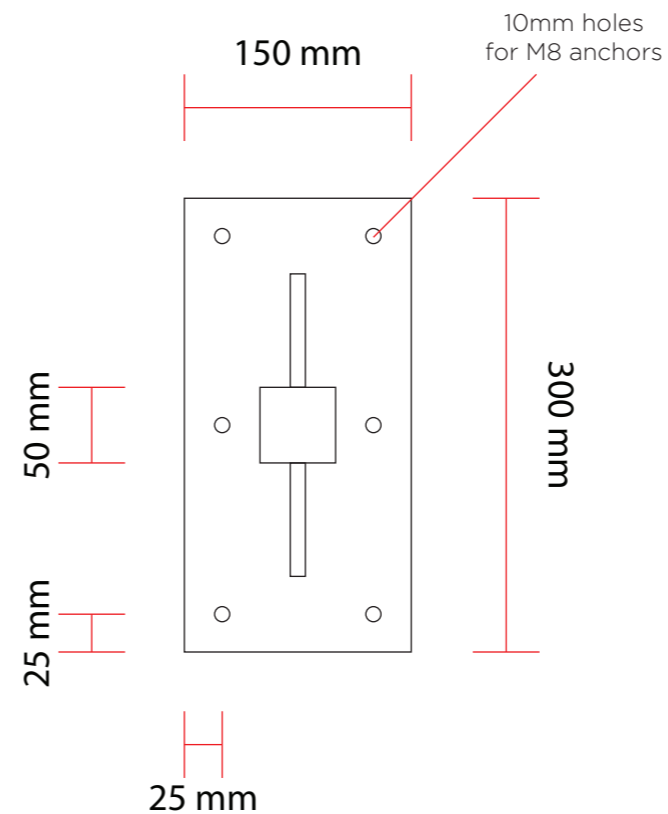
3.10 Bracket top
 Scale 1:5



3.11 Bracket left
 Scale 1:5



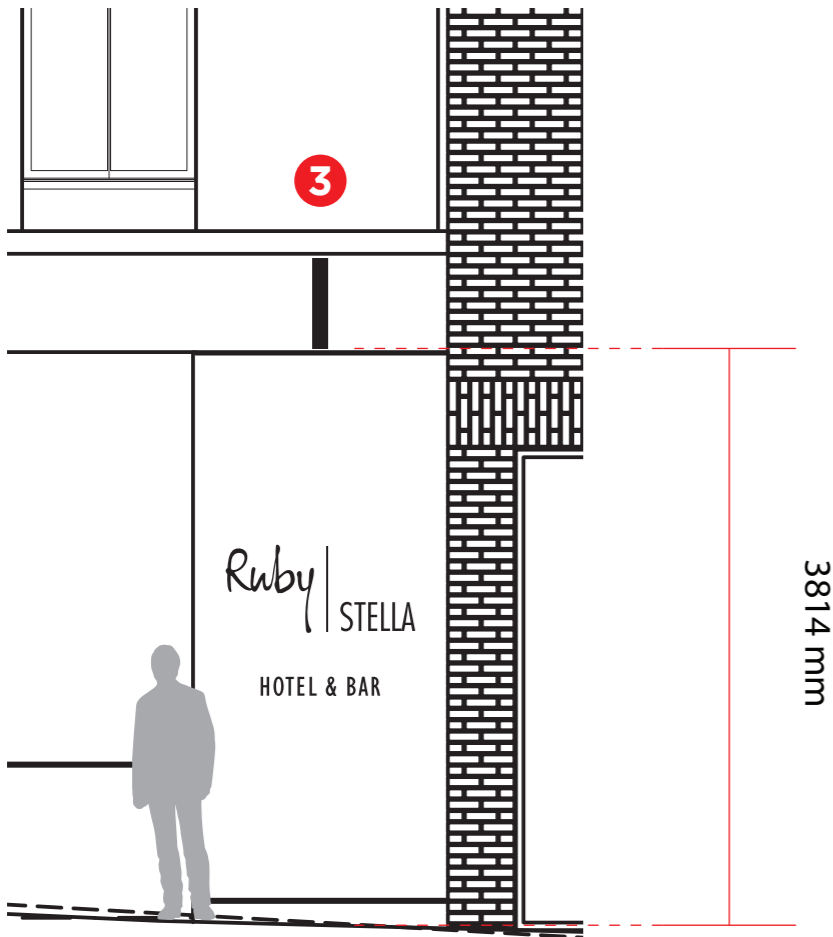
3.12 Bracket front
 Scale 1:5



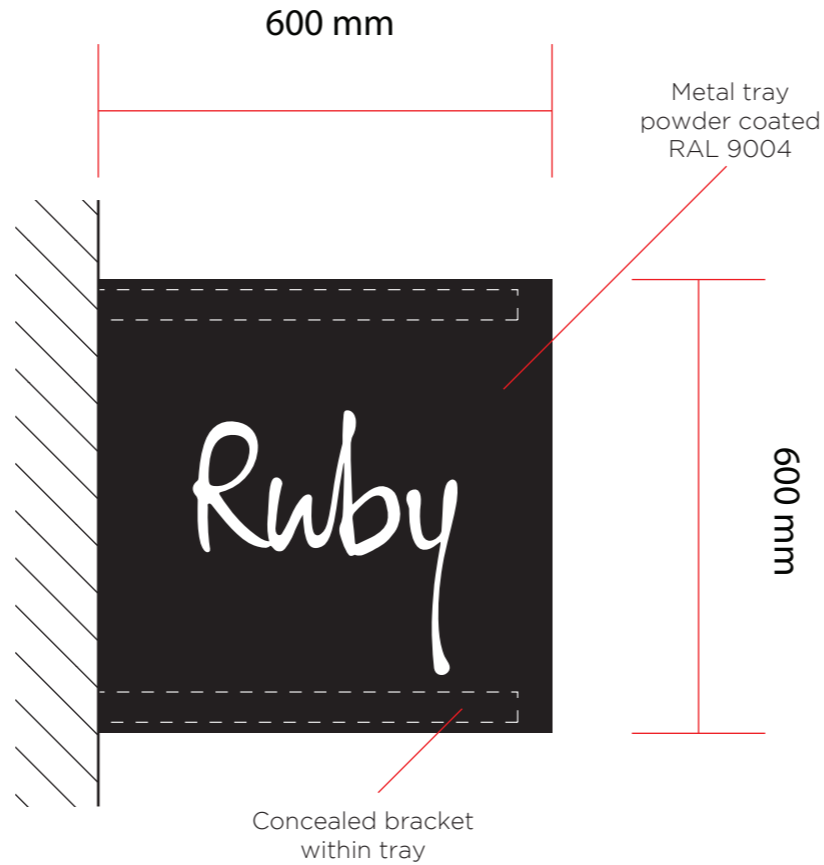
#GGRH01	Rev: 5/3	Page: 06	01/03/2023	SCALE AS SPECIFIED @ A3
External	Position 2: Projecting Neon Sign			GOODWIN & GOODWIN 'SIGNS WITH SOUL'
Drawn by JL	Ruby Hospitality UK LTD			

Please check the design carefully. Bespoke commission orders cannot be cancelled once production has started.
Finished products are non-returnable and non-exchangeable.

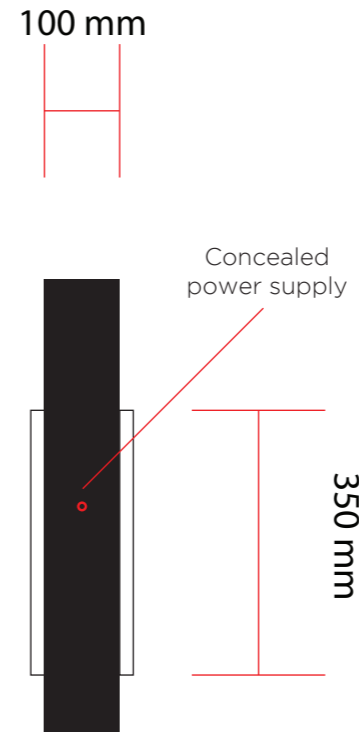
4.1 South Elevation
Scale 1:50



4.2 Left
Scale 1:10



4.3 Front
Scale 1:10



4.4 Right
Scale 1:10



Built up metal tray, double sided, with 100mm returns.
Metal tray powder coated RAL 9004.
Fret cut detail to both sides, with 18mm opal acrylic push-through letters.
To read "RUBY" as per logo.
Metal tray to be fixed flush to building fascia, central to wall area.
Bottom of sign to be 3814mm from ground level.
Cabling and power supply concealed within tray.
Fixed to GRC cladding with internal brackets and concealed fixings.

Weight: 25kg max

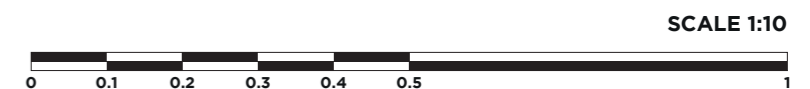
Light output: 1300lm per side

Quantity x 1



SCALE 1:50

Colour swatch

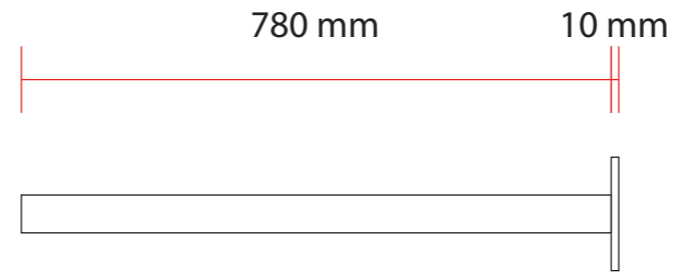


SCALE 1:10

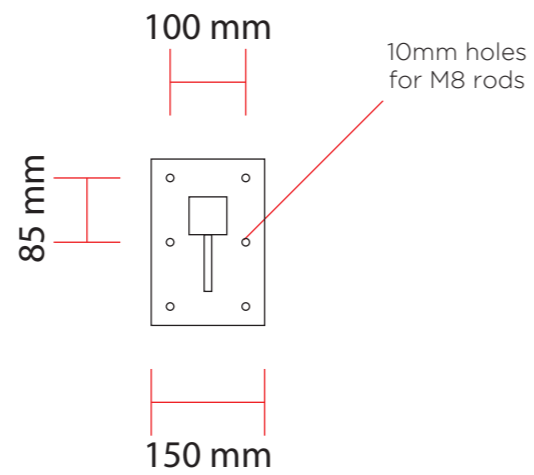
#GGRH01	Rev: 5/3	Page: 07	01/03/2023	SCALE AS SPECIFIED @ A3
External	Position 3: Projecting Blade Sign			GOODWIN & GOODWIN 'SIGNS WITH SOUL'
Drawn by JL	Ruby Hospitality UK LTD			

Please check the design carefully. Bespoke commission orders cannot be cancelled once production has started.
 Finished products are non-returnable and non-exchangeable.

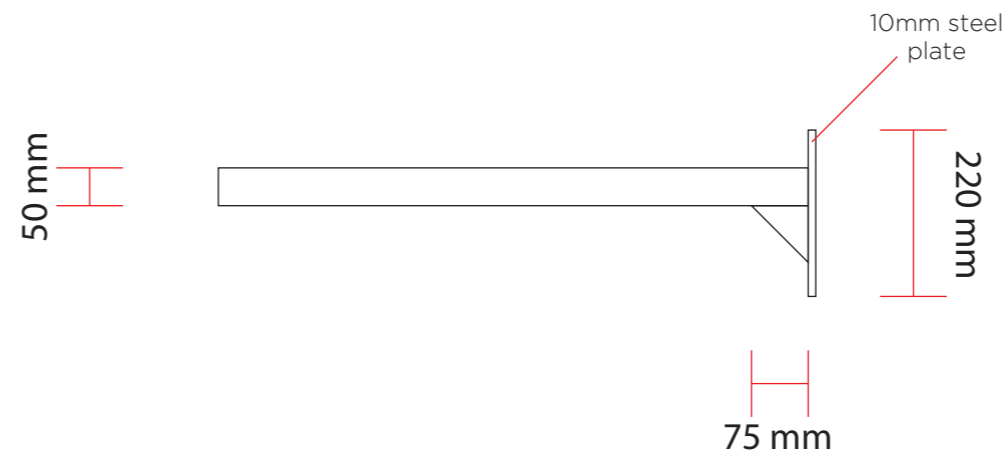
4.7 Bracket top
 Scale 1:10



4.8 Bracket front
 Scale 1:10



4.9 Bracket right
 Scale 1:10



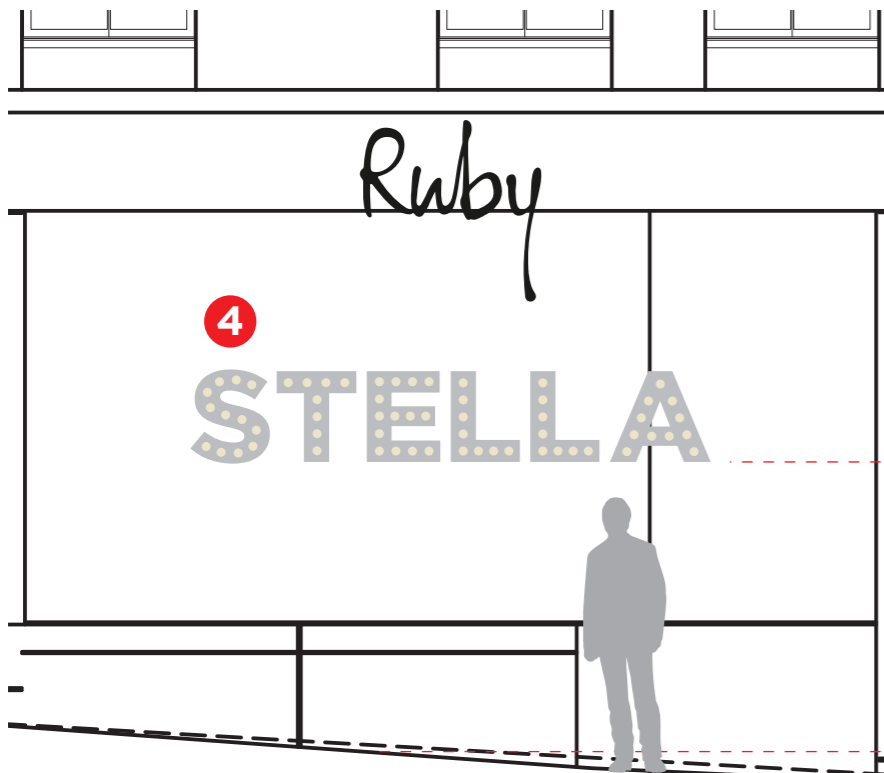
SCALE 1:10



#GGRH01	Rev: 5/3	Page: 09	01/03/2023	SCALE AS SPECIFIED @ A3
External	Position 3: Projecting Blade Sign			GOODWIN & GOODWIN 'SIGNS WITH SOUL'
Drawn by JL	Ruby Hospitality UK LTD			

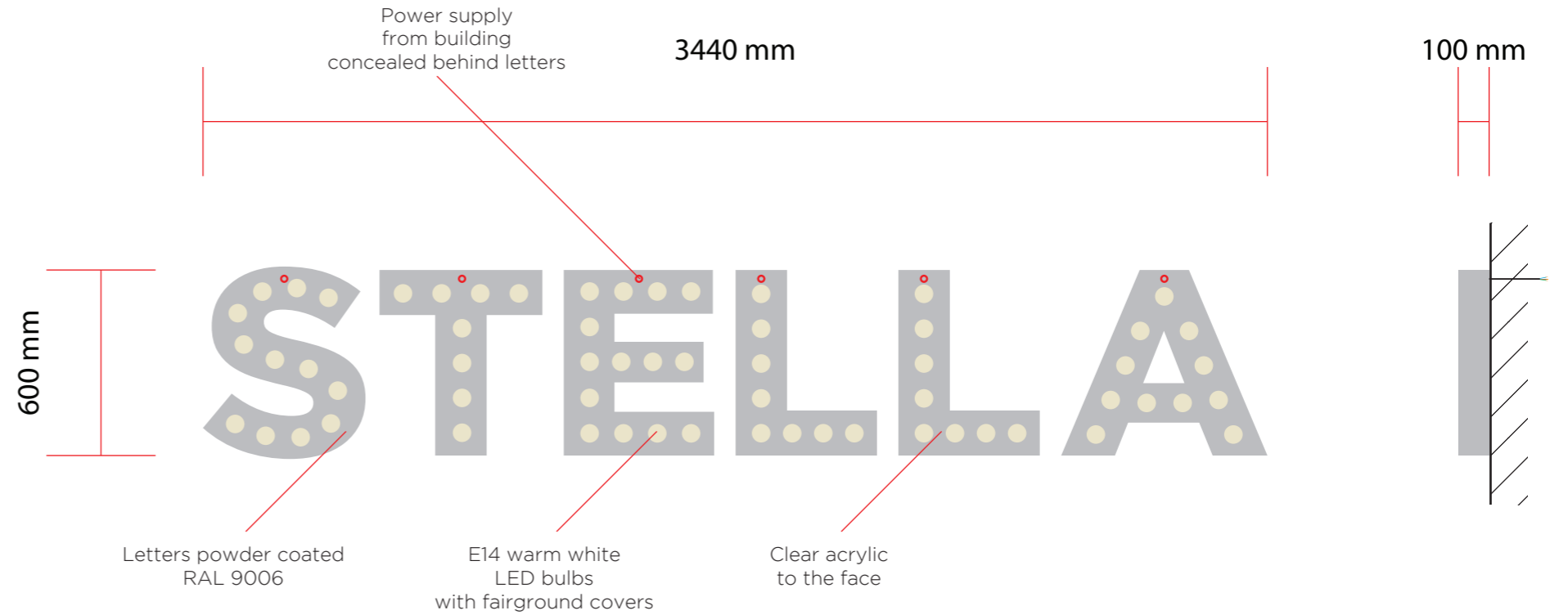
Please check the design carefully. Bespoke commission orders cannot be cancelled once production has started.
 Finished products are non-returnable and non-exchangeable.

5.1 South Elevation
 Scale 1:50



5.2 Front
 Scale 1:20

5.3 Right
 Scale 1:20



Built up metal channel letters, with 100mm returns.
 Powder coated RAL 9006 (metallic silver).
 Inlaid with warm white E14 LED bulbs.
 Letters faced with clear acrylic (rimless construction) to hinder pedestrian bulb access.
 To read "STELLA" in standard bulb letter font.
 Letters fitted directly to external wall with concealed fixings.
 Bottom of sign to be 1920mm from ground level.
 Power supply to each individual letter from rear-top, concealed behind.

Weight: 36kg max
Light output: 6100lm max

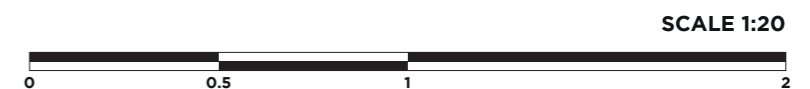
Quantity x 1



Colour swatch



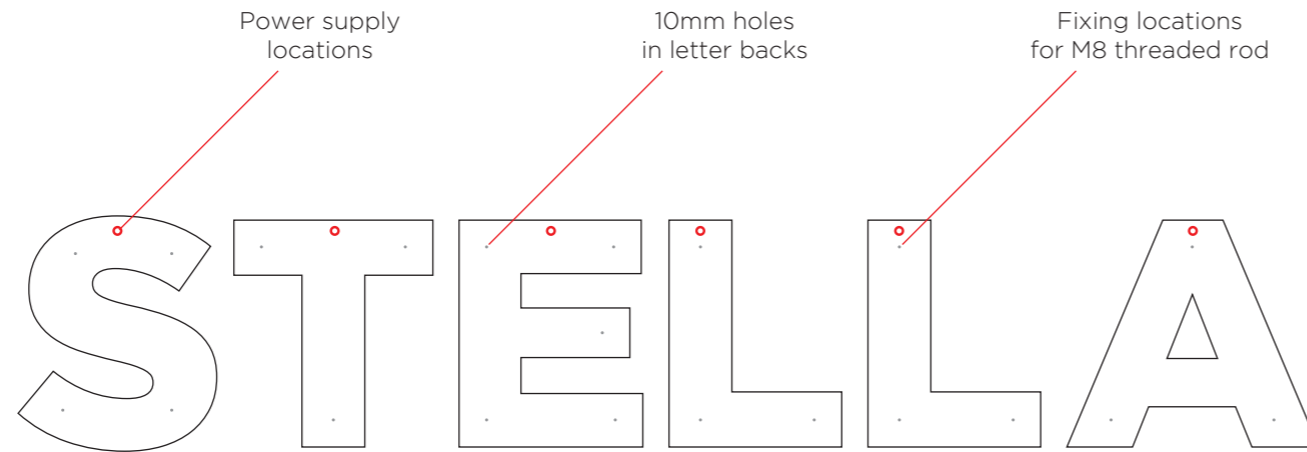
RAL 9006



#GGRH01	Rev: 5/3	Page: 10	01/03/2023	SCALE AS SPECIFIED @ A3
External	Position 4: Bulb Letters			GOODWIN & GOODWIN 'SIGNS WITH SOUL'
Drawn by JL	Ruby Hospitality UK LTD			

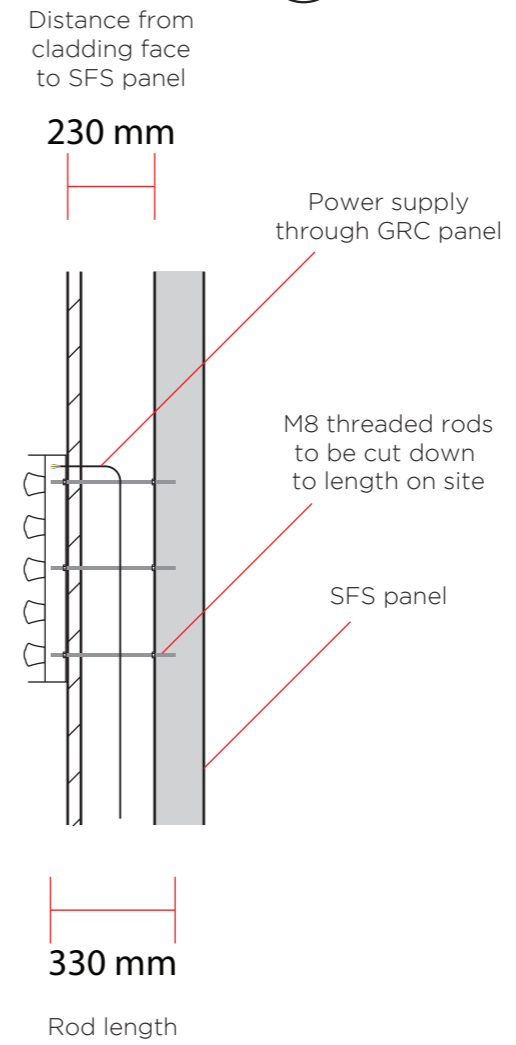
Please check the design carefully. Bespoke commission orders cannot be cancelled once production has started.
 Finished products are non-returnable and non-exchangeable.

5.4 Front
 Scale 1:20



Fixing rods: **x 4** **x 3** **x 5** **x 3** **x 3** **x 3**

5.5 Right
 Scale 1:20



SCALE 1:20



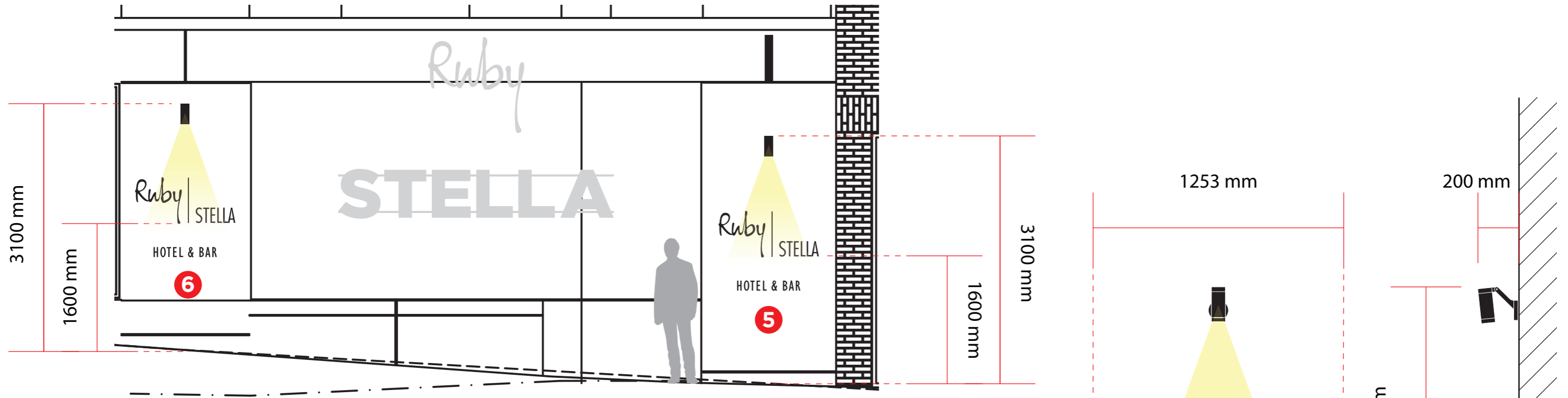
#GGRH01	Rev: 5/3	Page: 11	01/03/2023	SCALE AS SPECIFIED @ A3
External	Position 4: Bulb Letters			GOODWIN & GOODWIN 'SIGNS WITH SOUL'
Drawn by JL	Ruby Hospitality UK LTD			

Please check the design carefully. Bespoke commission orders cannot be cancelled once production has started.
Finished products are non-returnable and non-exchangeable.

6.1 South Elevation
Scale 1:50

6.2 Front
Scale 1:20

6.3 Right
Scale 1:20



SCALE 1:50



Flat cut 5mm metal letters.
Powder coated RAL 9004.
Fitted to wall with rods and adhesive.
With 40mm standoff from building.
Illuminated with Artemide Obice wall 34° 605lm, 3000K LED, tilting angle +35°/-125°
Matt black finish, with wall bracket.
Power supply from building directly behind fixture.

Quantity x 2

**'STELLA' logo for illustration only.
Final vector logo required before production**

Weight: 5kg max

Light output: 605lm

Colour swatch



1000 mm

Ruby STELLA
HOTEL & BAR

5mm metal
powder coated RAL 9004

1500 mm

Letters fixed to
cladding panels with
VHB tape to rear

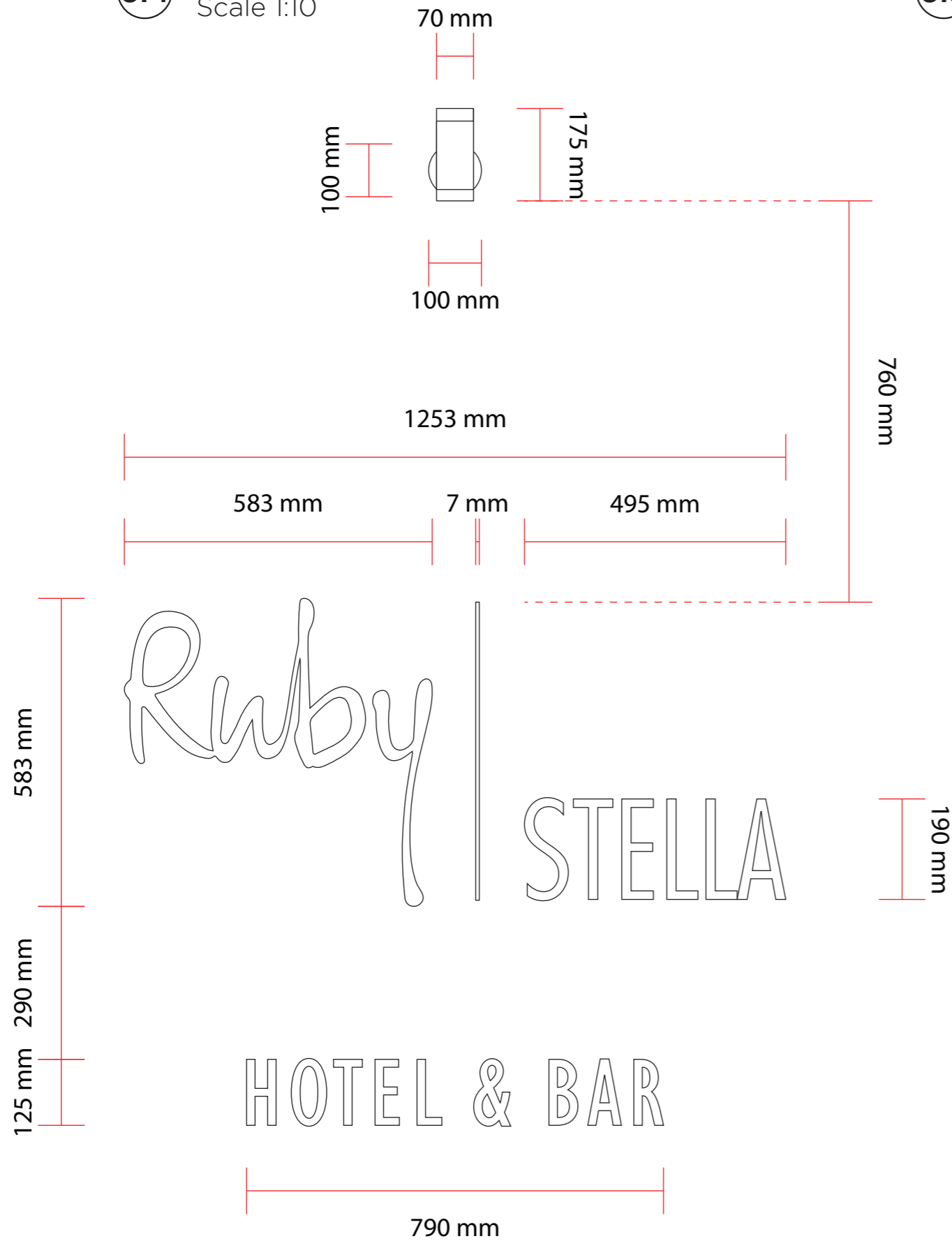
SCALE 1:20



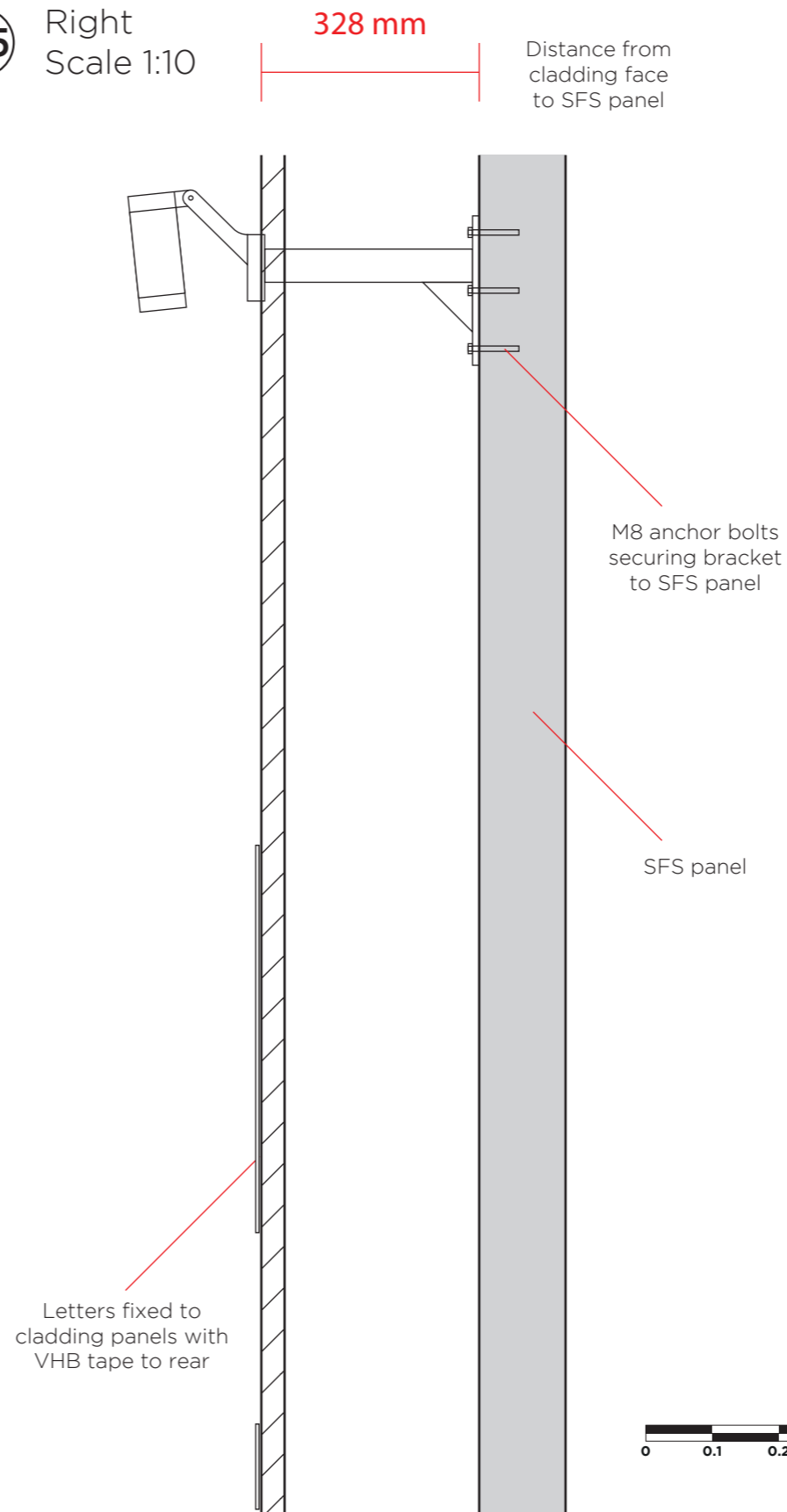
#GGRH01	Rev: 5/3	Page: 12	01/03/2023	SCALE AS SPECIFIED @ A3
External	Position 5 & 6: Silhouette Lettering			GOODWIN & GOODWIN <i>'SIGNS WITH SOUL'</i>
Drawn by JL	Ruby Hospitality UK LTD			

Please check the design carefully. Bespoke commission orders cannot be cancelled once production has started.
 Finished products are non-returnable and non-exchangeable.

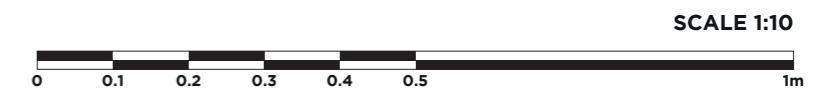
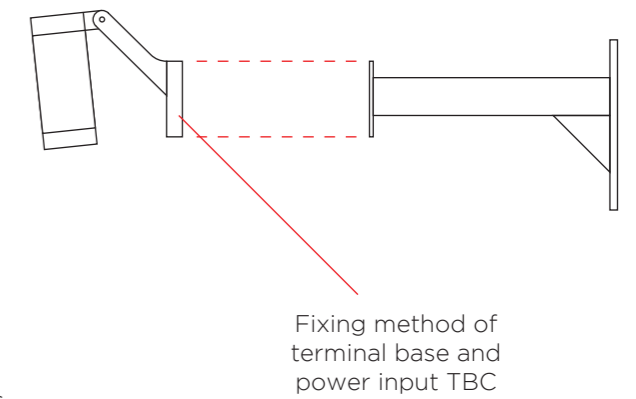
6.4 Front Scale 1:10



6.5 Right Scale 1:10



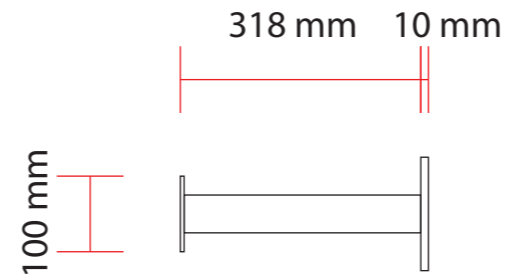
6.6 Terminal base Scale 1:10



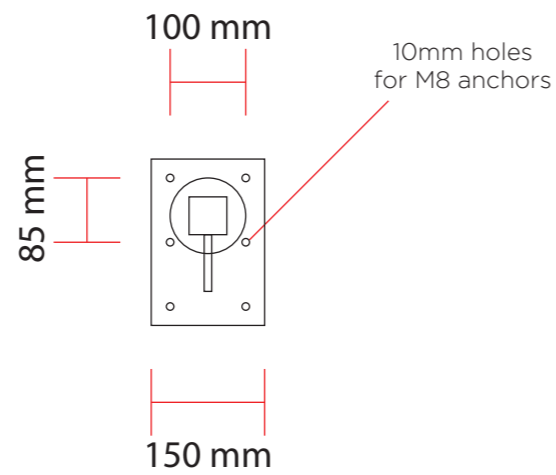
#GGRH01	Rev: 5/3	Page: 13	01/03/2023	SCALE AS SPECIFIED @ A3
External	Position 5 & 6: Silhouette Lettering			GOODWIN & GOODWIN 'SIGNS WITH SOUL'
Drawn by JL	Ruby Hospitality UK LTD			

Please check the design carefully. Bespoke commission orders cannot be cancelled once production has started.
 Finished products are non-returnable and non-exchangeable.

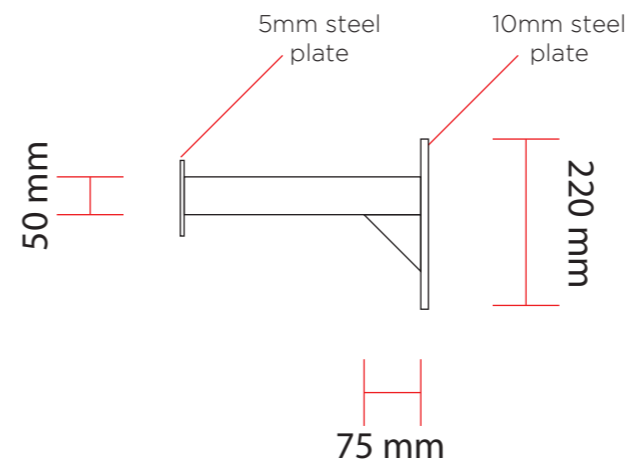
6.7 Bracket top
 Scale 1:10



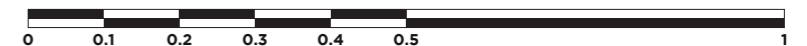
6.8 Bracket front
 Scale 1:10



6.9 Bracket right
 Scale 1:10



SCALE 1:10



#GGRH01	Rev: 5/3	Page: 14	01/03/2023	SCALE AS SPECIFIED @ A3
External	Position 3: Projecting Blade Sign			GOODWIN & GOODWIN 'SIGNS WITH SOUL'
Drawn by JL	Ruby Hospitality UK LTD			