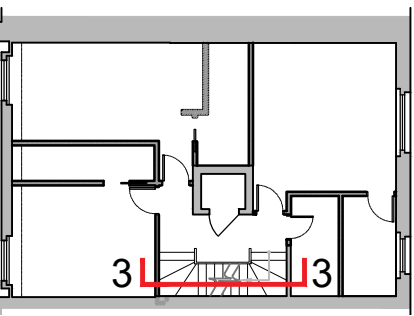
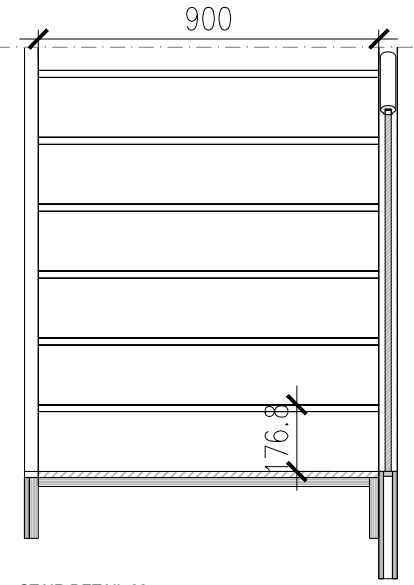
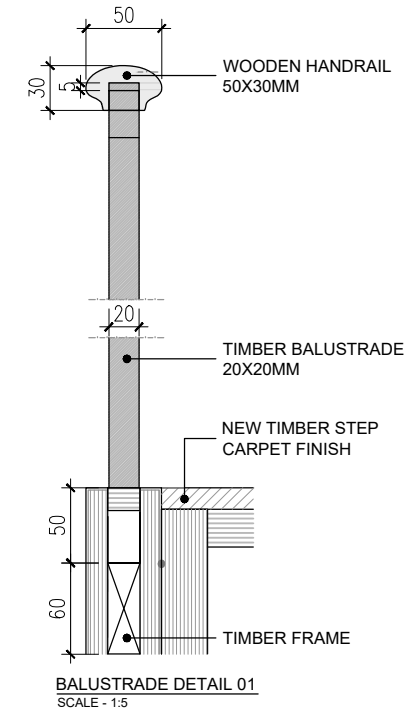
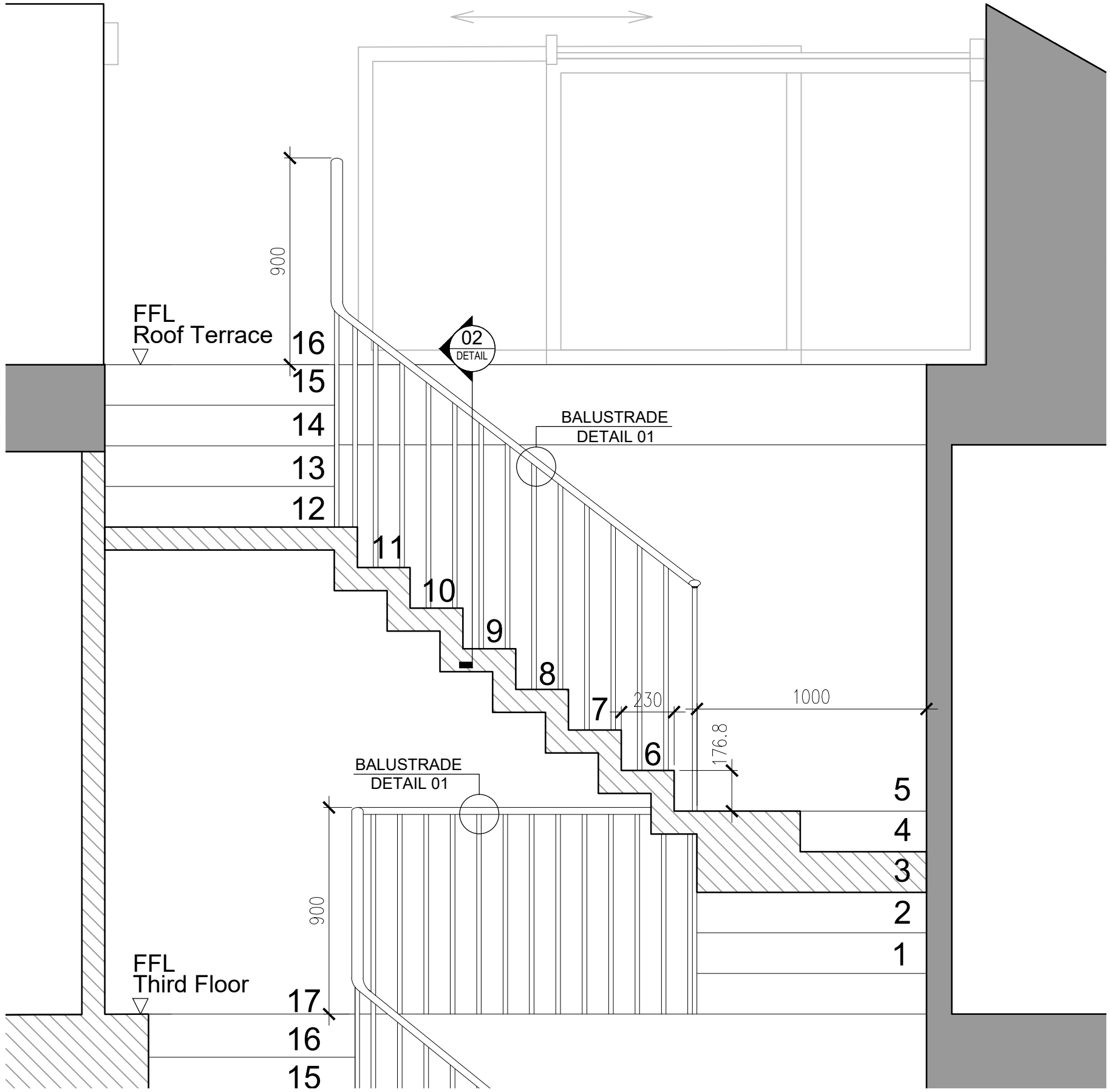


**Materials And Finishes**

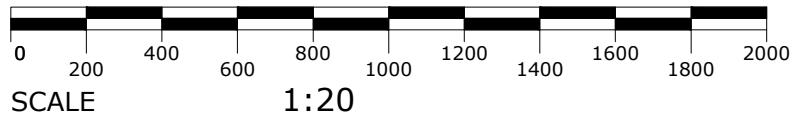
- 1. Wooden Handrail - Dark Timber Stain
- 2. Painted Balustrade - Painted Black
- 3. Carpet Finish on Stair
- 4. Timber construction



**Planning & LBC**



03 Third Floor to Roof Terrace Stairs  
GHV 1:20 @ A3



**BB PARTNERSHIP**  
CHARTERED ARCHITECTS  
Studios 33-34, 10 Hornsey St, London. N7 8EL  
Tel 020 7336 8555 - e-mail - architect@bbpartnership.co.uk  
© 2022 BB PARTNERSHIP LIMITED

**Project**  
25 Chester Terrace  
London, NW1 4ND  
**Drawing**  
Proposed  
Stairs Sections  
ALL RIGHTS RESERVED

Rev	Notes	Date	By

Date	Scale	Drawn
Oct 22	1:20@A3	CS
drwg. no		Rev.
GHV-413		-