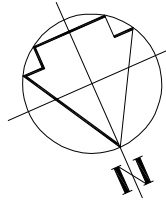
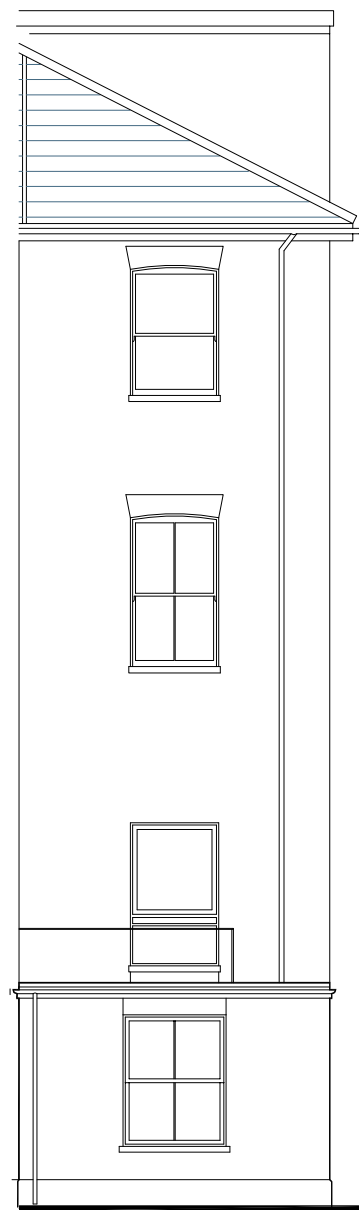


0 1 2 3 4 5 6 metres

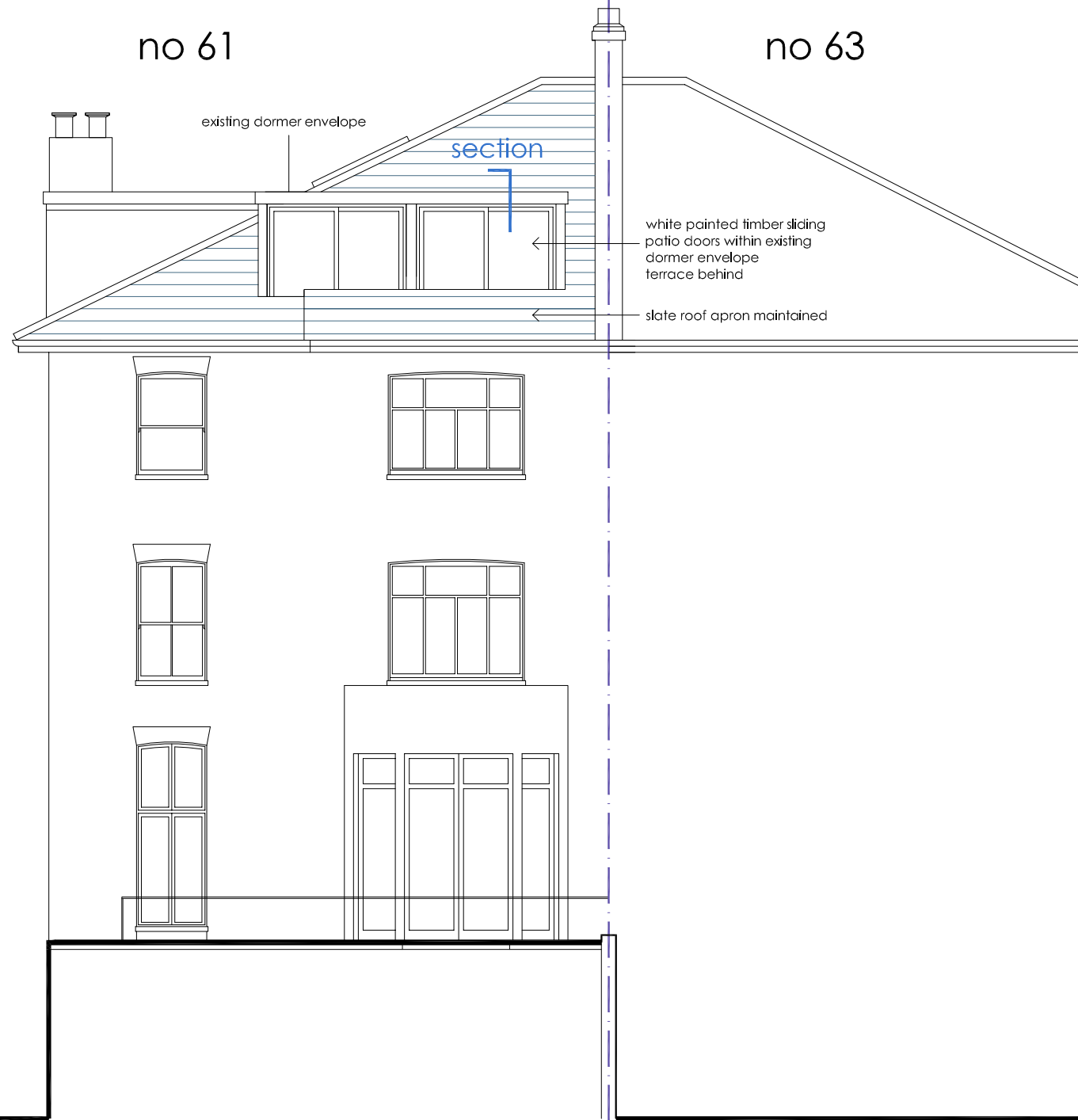
scales 1:50 @ A1
1:100 @ A3



no 59



no 61



no 63

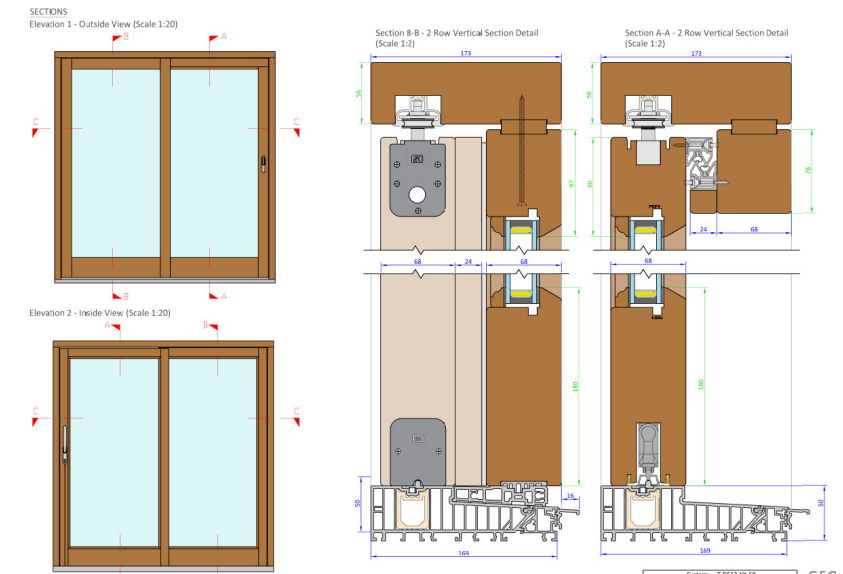
rear elevation

existing dormer envelope

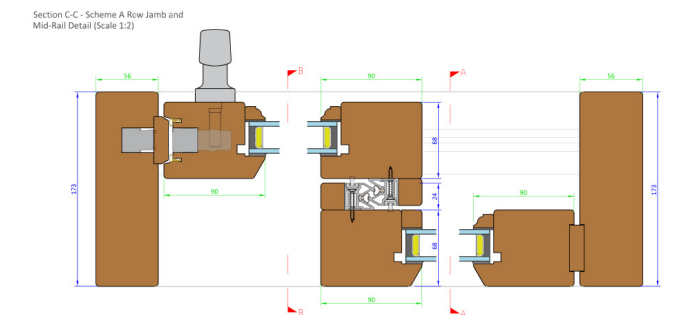
section

white painted timber sliding patio doors within existing dormer envelope terrace behind

slate roof apron maintained



vertical section



horizontal section

section through timber patio doors
scale as annotated

DVM
ARCHITECTS

4a Murray Street . London . NW1 9RE
Telephone 0207 485 2121 . Facsimile 0207 267 2527
e-mail: studio@dvmarch.com

Client
Kari Holtung

Project
61d Belsize Park Gardens
London NW3 4JN

Title
Rear Elevation
as Proposed

Scale 1:50	Date 31.03.23	Job No. 1184
Drawing No. 1184-15	Rev. B	

All dimensions are to be checked on site.
© This drawing is copyright and remains the property of David & Victoria Mercer at all times and may not be reproduced in part or whole without written consent.