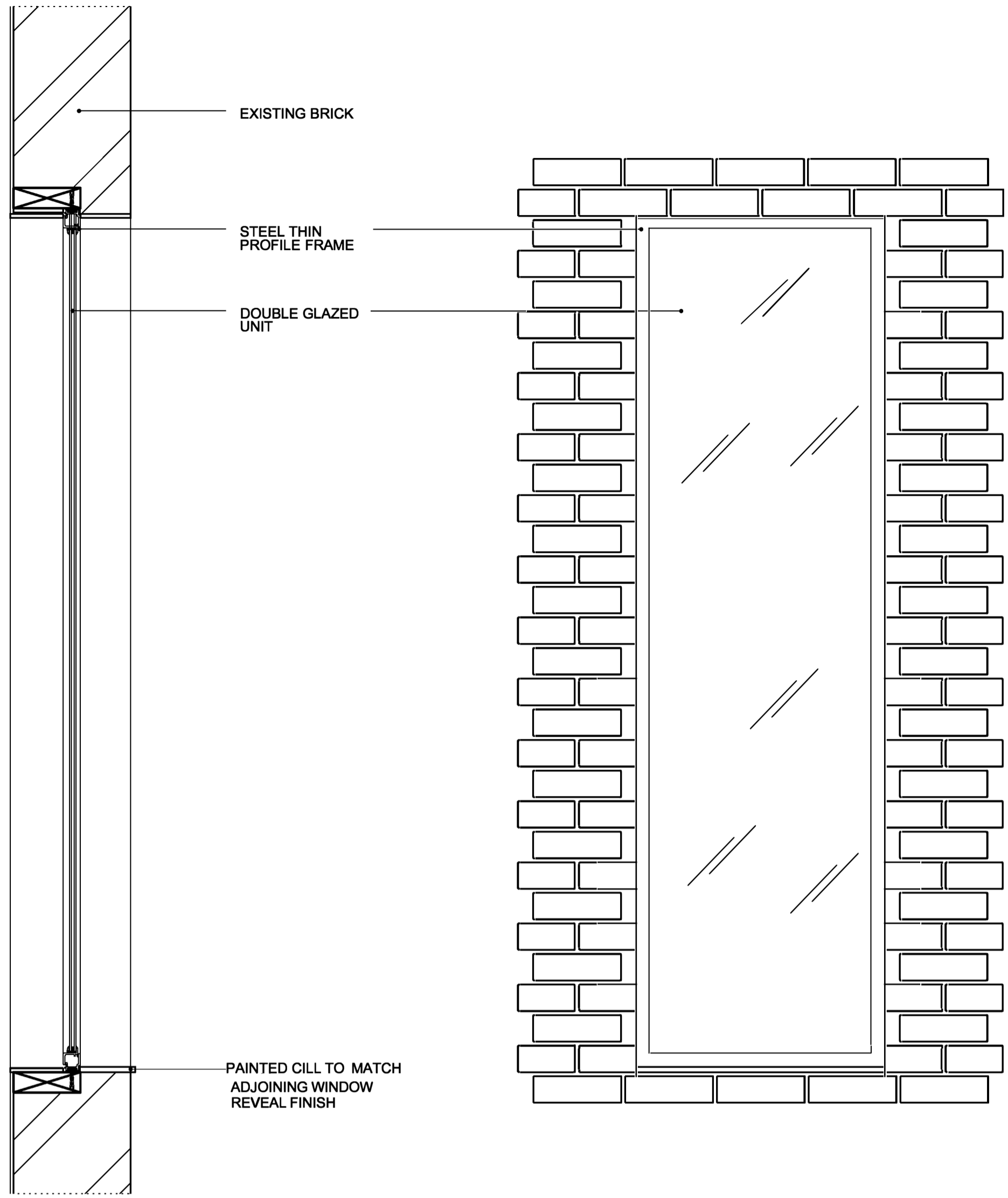


DO NOT SCALE OFF THIS DRAWING  
 DIMENSIONS, AREAS AND LEVELS ARE ONLY APPROXIMATIONS  
 AND SUBJECT TO SITE SURVEY. ALL DIMENSIONS TO BE  
 CHECKED ON SITE. ANY DISCREPANCIES OR VARIATION  
 TO BE REPORTED TO THE ARCHITECT BEFORE WORK  
 COMMENCES.

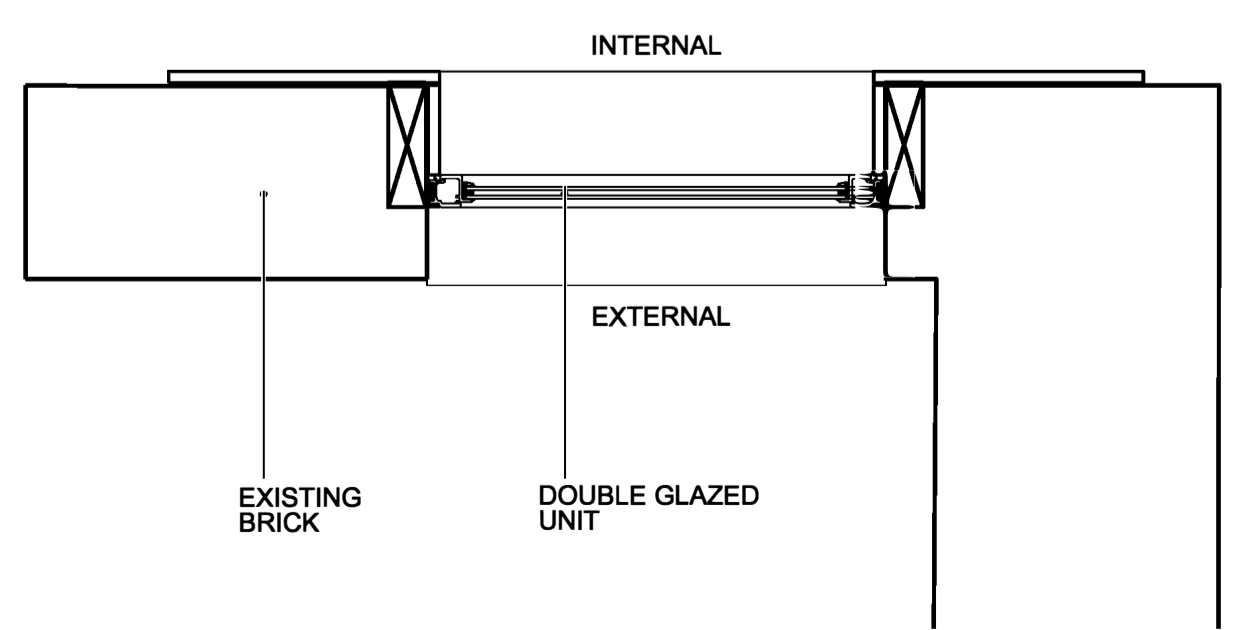
THIS DRAWING IS TO BE READ IN CONJUNCTION WITH THE  
 SPECIFICATION, WHERE PROVIDED, AND ALL RELEVANT  
 CONSULTANT DRAWINGS AND FOR SPECIALISTS DRAW-  
 ING DOCUMENTS AND ANY DISCREPANCIES OR VARIATION  
 TO BE REPORTED TO THE ARCHITECT BEFORE THE AFFECTED  
 WORK COMMENCES.

THIS DRAWING IS PROTECTED BY COPYRIGHT AND MUST  
 NOT BE COPIED OR REPRODUCED WITHOUT THE WRITTEN  
 CONSENT OF CHRIS DYSON ARCHITECTS LLP. NORTH POINTS  
 SHOWN ARE INDICATIVE. ©

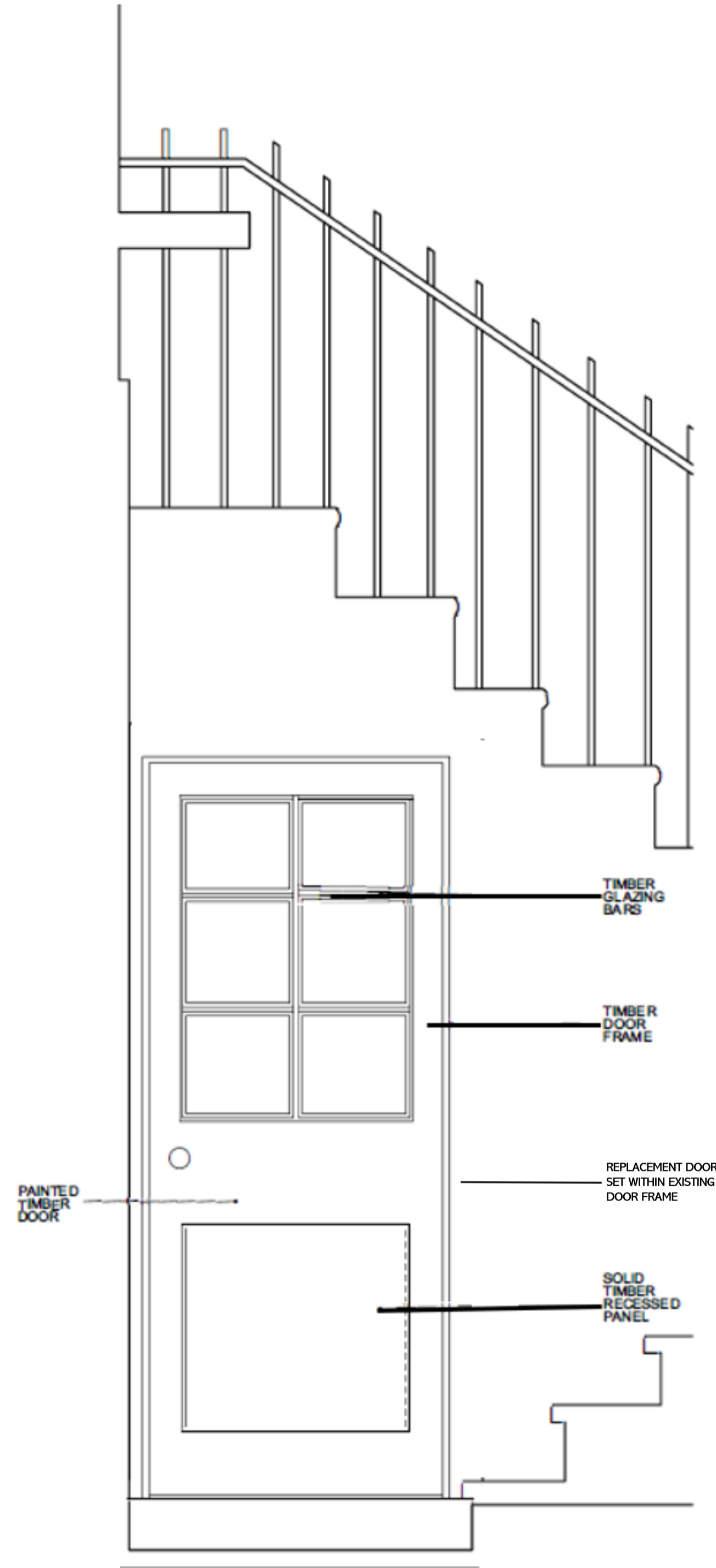


**1** 1:10 FRAMELESS DOUBLE GLAZED UNIT SECTION

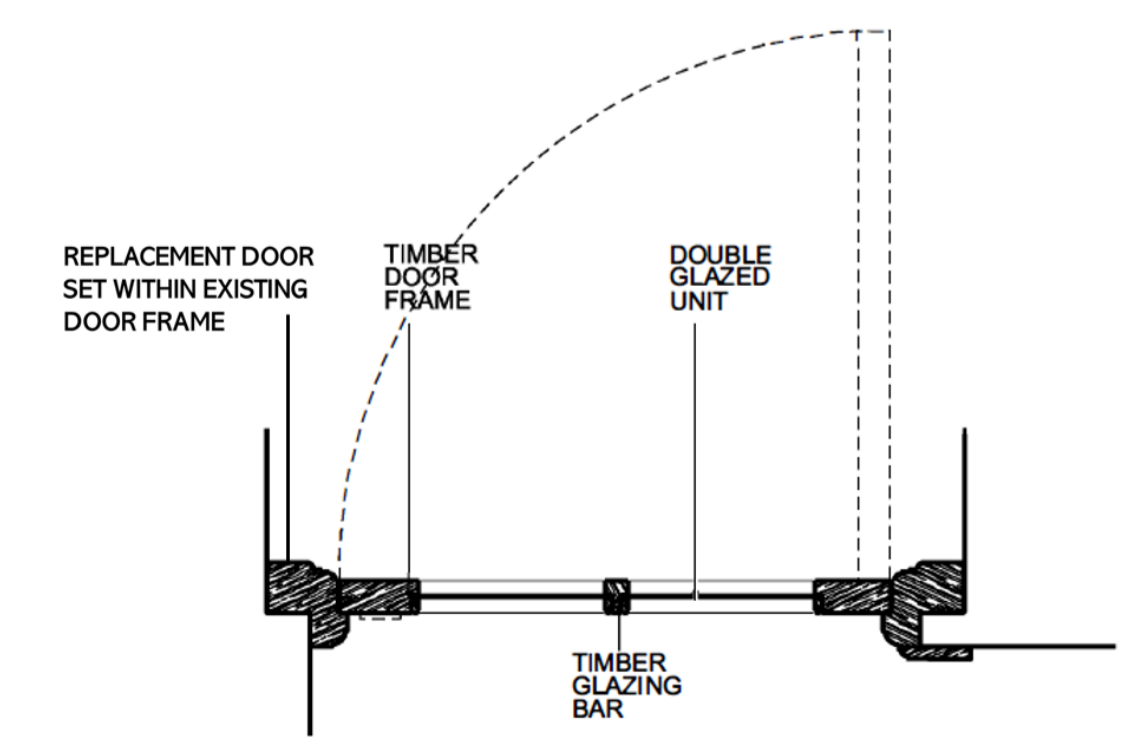
**2** 1:10 FRAMELESS DOUBLE GLAZED UNIT ELEVATION



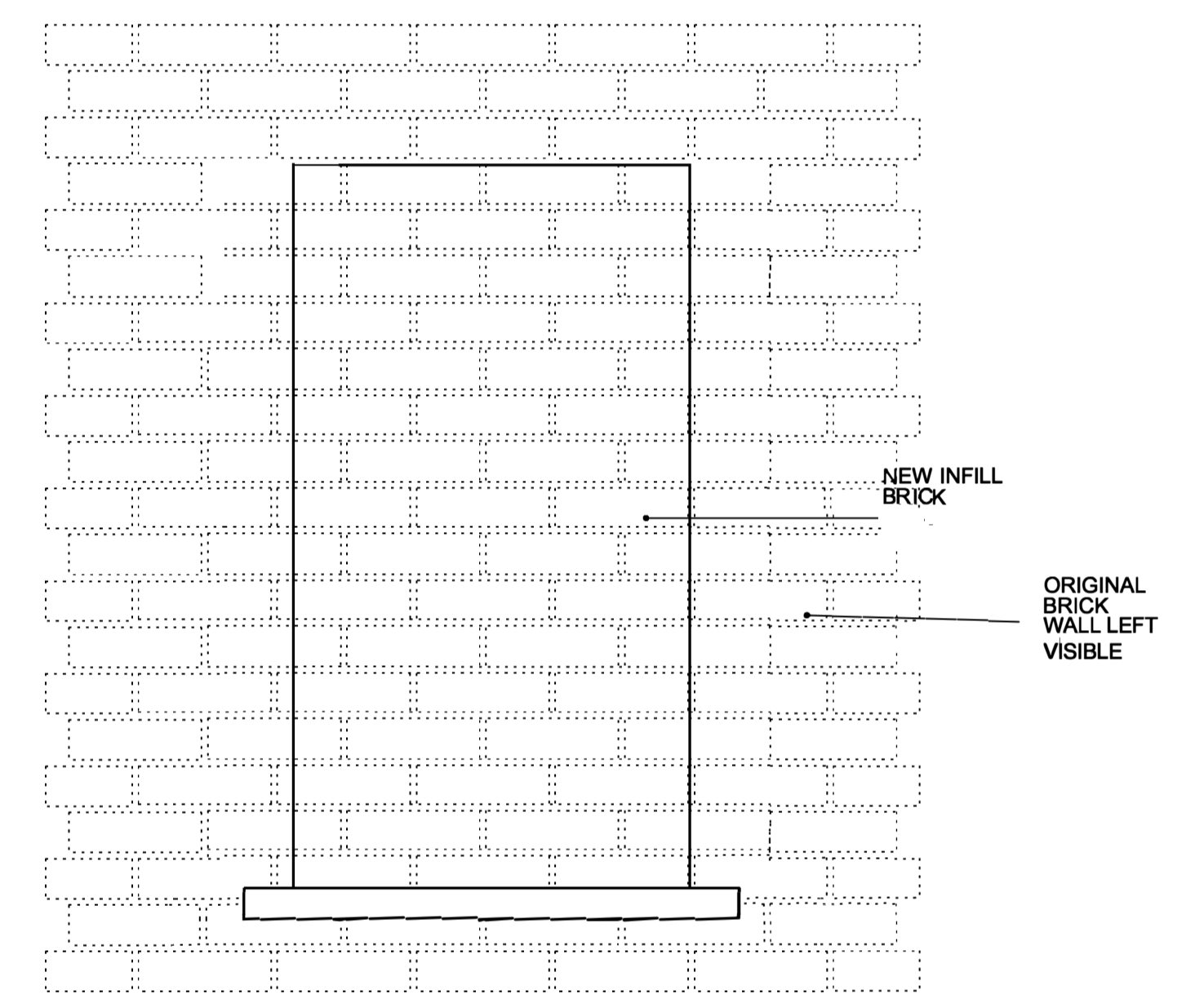
**3** 1:10 FRAMELESS DOUBLE GLAZED UNIT PLAN



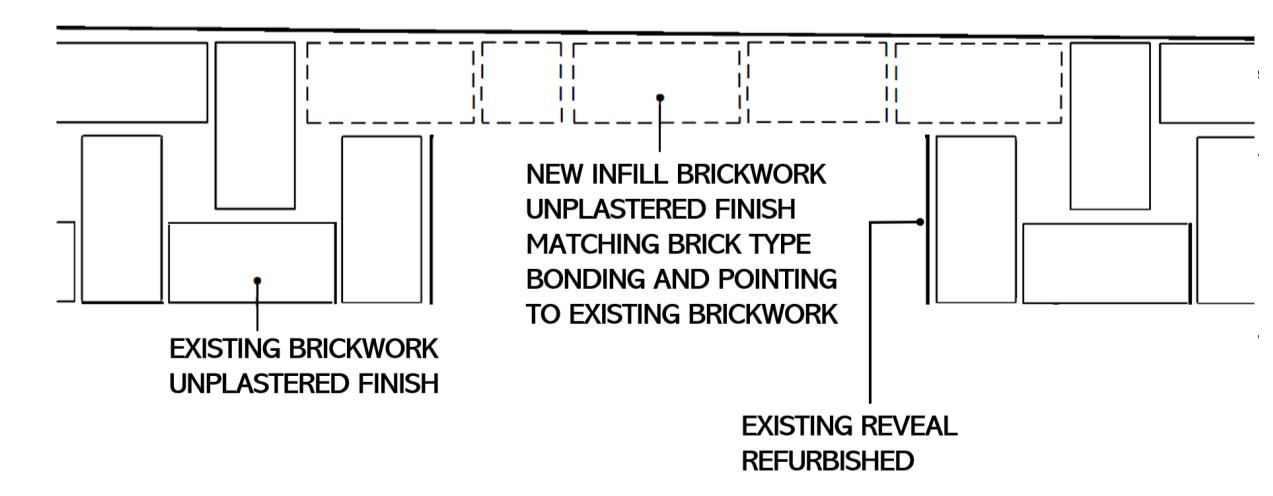
**4** 1:10 PROPOSED NEW TIMBER DOOR DETAIL ELEVATION



**5** 1:10 PROPOSED NEW TIMBER DOOR DETAIL PLAN



**6** 1:10 PROPOSED NEW BLANKED OFF WINDOW ELEVATION



**6** 1:10 PROPOSED NEW BLANKED OFF WINDOW DETAIL PLAN

01	16.03.23	FOR PLANNING	JC
00	07.03.23	FOR PLANNING	JC
REV	DATE	NOTES	INIT.
PROJECT			
91A BELSIZE LANE			
DRAWING TITLE			
PROPOSED DETAILS			
STATUS PLANNING			
DATE	DRAWN	CHECK	SCALE @ A1
AUG 2022	SC	JC	1:10
PROJECT NUMBER	UNIT / BLOCK	DOOR	TYPE & NUMBER
0484	A		1401 01