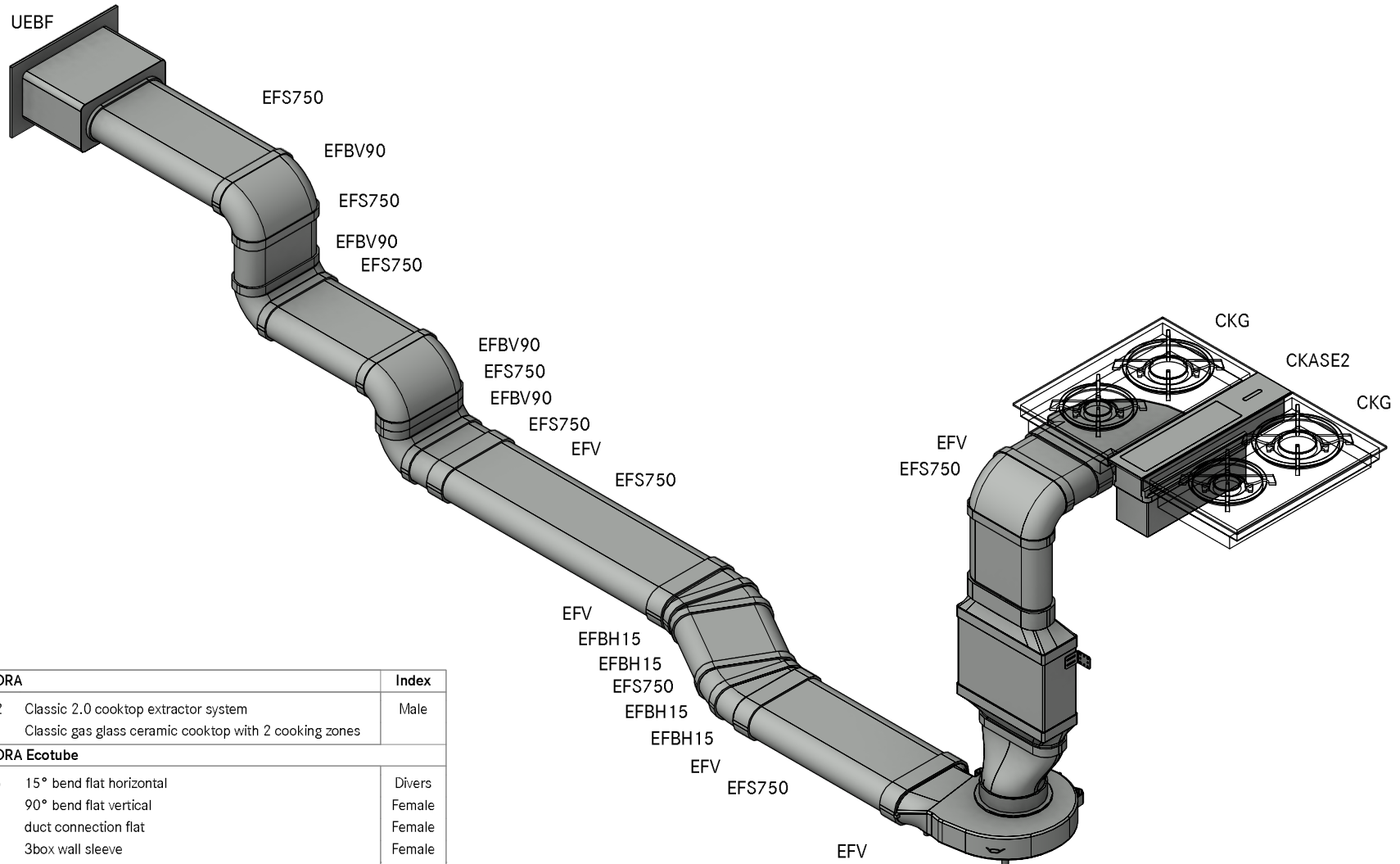


REFERENCE NUMBER **1853707-C**
 REFERENCE **Eton Villas**
 RETAILER **Poliform UK Ltd**
 LAYOUT **3D**

F.Hörl, 03.11.2022

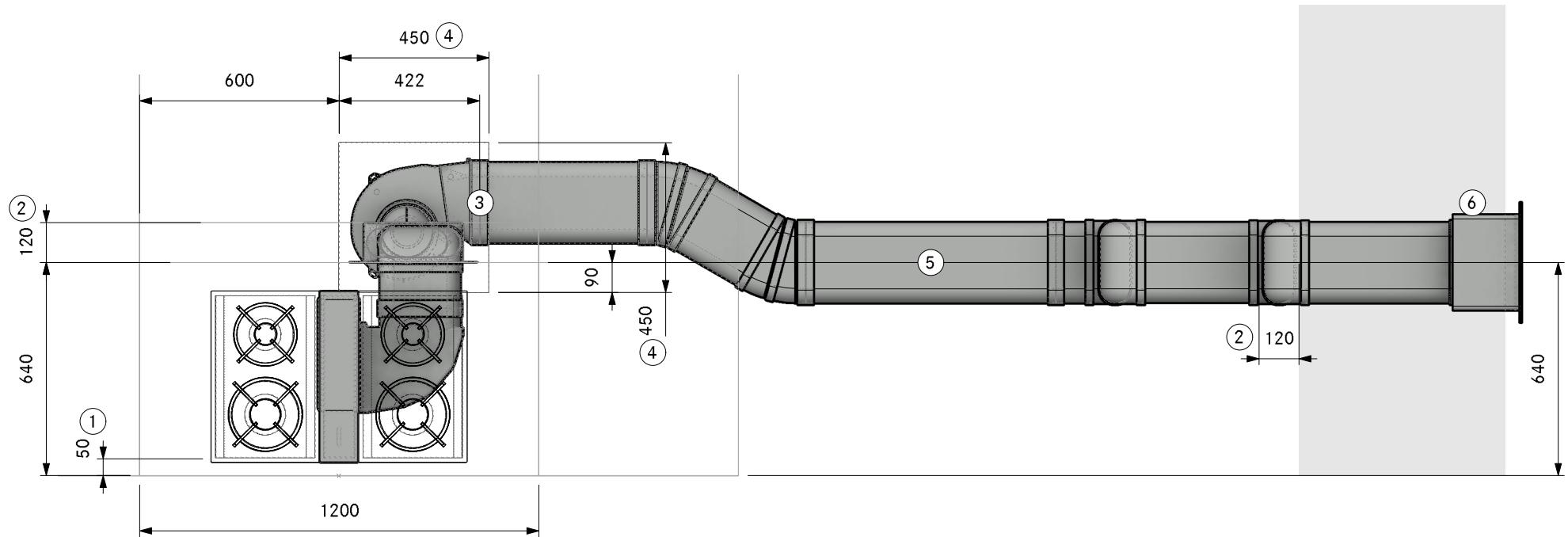


Count	Item BORA	Index
1	CKASE2 Classic 2.0 cooktop extractor system	Male
2	CKG Classic gas glass ceramic cooktop with 2 cooking zones	
Item BORA Ecotube		
4	EFBH15 15° bend flat horizontal	Divers
4	EFBV90 90° bend flat vertical	Female
5	EFV duct connection flat	Female
1	UEBF 3box wall sleeve	Female
4	EFS750 shallow duct with partition 750mm	Male

Please check for accuracy. Seals included. Are optically not displayed.

The installation plan has to be verified by the retailer. Please consider the units feet positioning. The depth indications refer to the front edge of the cabinet. To obtain a planning does not automatically entitle to purchase our products. Solely intended for preparing food in private households.

+49 (0) 80 35 98 40 - 140
 planning@bora.com



①. At least 50 mm to cut out. This distance is a recommendation. Please contact your worktop manufacturer for the exact distance.

②. Min. space required

③. Connection point Ecotube

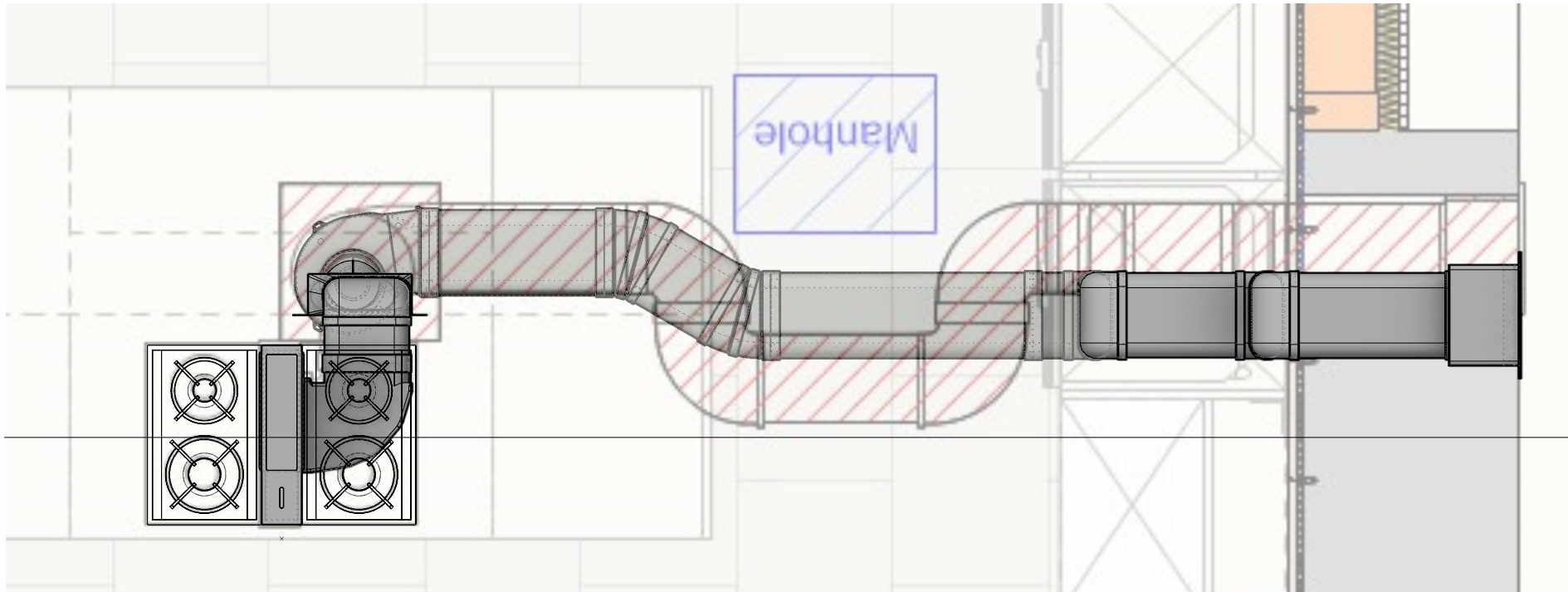
④. Opening/pit in the floor for ULS

⑤. Installation in floor structure according to DIN 18560-2 (if completely in the levelling layer). If the floor structure deviates from DIN18560-2, a screed reinforcement layer is required

⑥. Hole size 310 x 155mm
 Bottom of hole to middle of duct 71mm.
 Wall vent must be able to fully open for air to extract

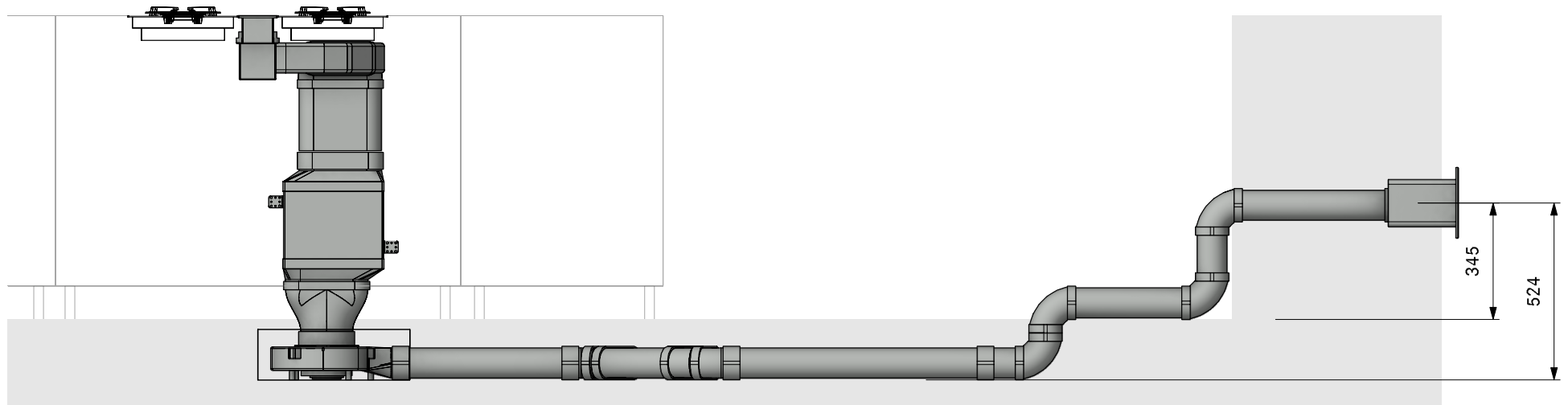
REFERENCE NUMBER **1853707-C**
REFERENCE **Eton Villas**
RETAILER **Poliform UK Ltd**
LAYOUT **Top**

F.Hörl, 03.11.2022



REFERENCE NUMBER **1853707-C**
REFERENCE **Eton Villas**
RETAILER **Poliform UK Ltd**
LAYOUT **Front**

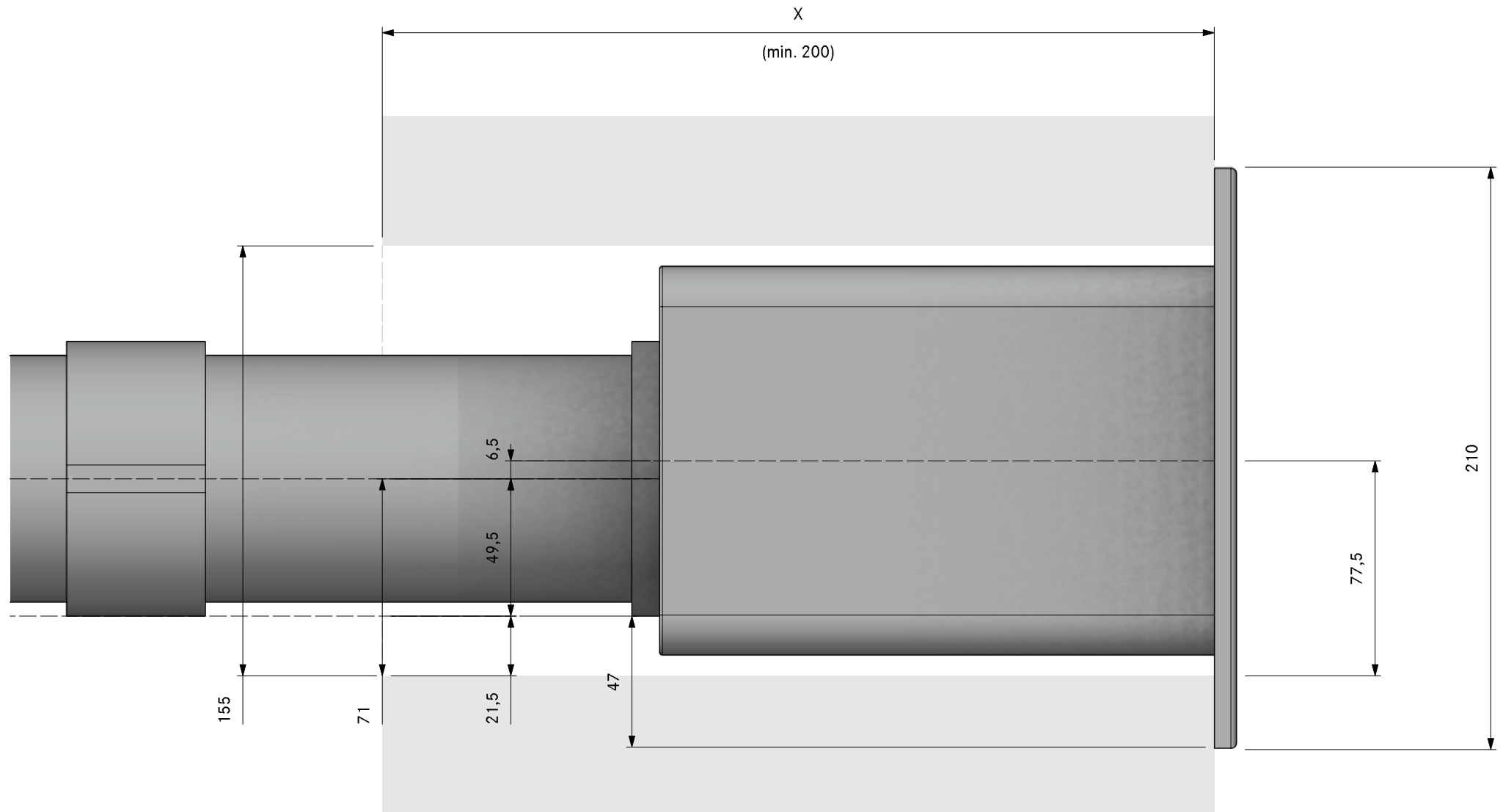
F.Hörl, 03.11.2022



MODEL PLAN
REFERENCE NUMBER
COMPOSITION
LAYOUT

MP_9040
wallsleeve_UEBF
Front

DRAWN 2020



The installation plan has to be verified by the retailer. Please consider the units feet positioning. The depth indications refer to the front edge of the cabinet. To obtain a planning does not automatically entitle to purchase our products. Solely intended for preparing food in private households.

+49 (0) 80 35 98 40 - 140
planning@bora.com