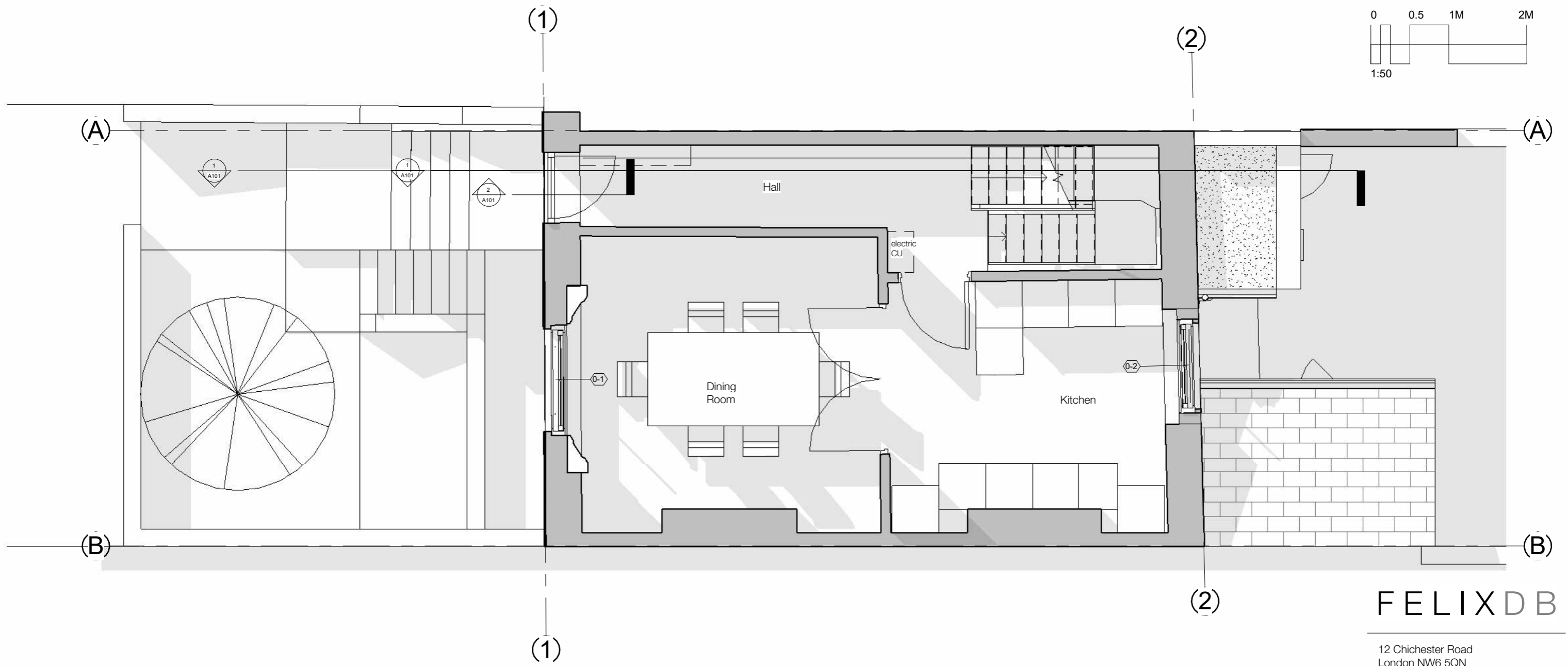
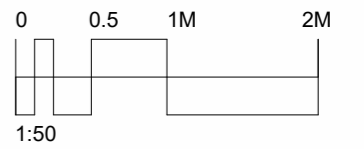


No.	Description	Date



1 0 Ground Floor - Proposed Windows 1.50  
1:50

# FELIXDB

12 Chichester Road  
London NW6 5QN

t. 07966264656

felix@felixdb.co.uk

TITLE  
GRD FLR PROPOSED 1-50

PROJECT  
118 Torriano Avenue NW5 2RY

CLIENT Hamed & Fleur

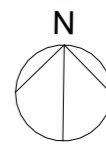
F.P 16/03/2023 09:13:00

PROJECT NUMBER 118W-

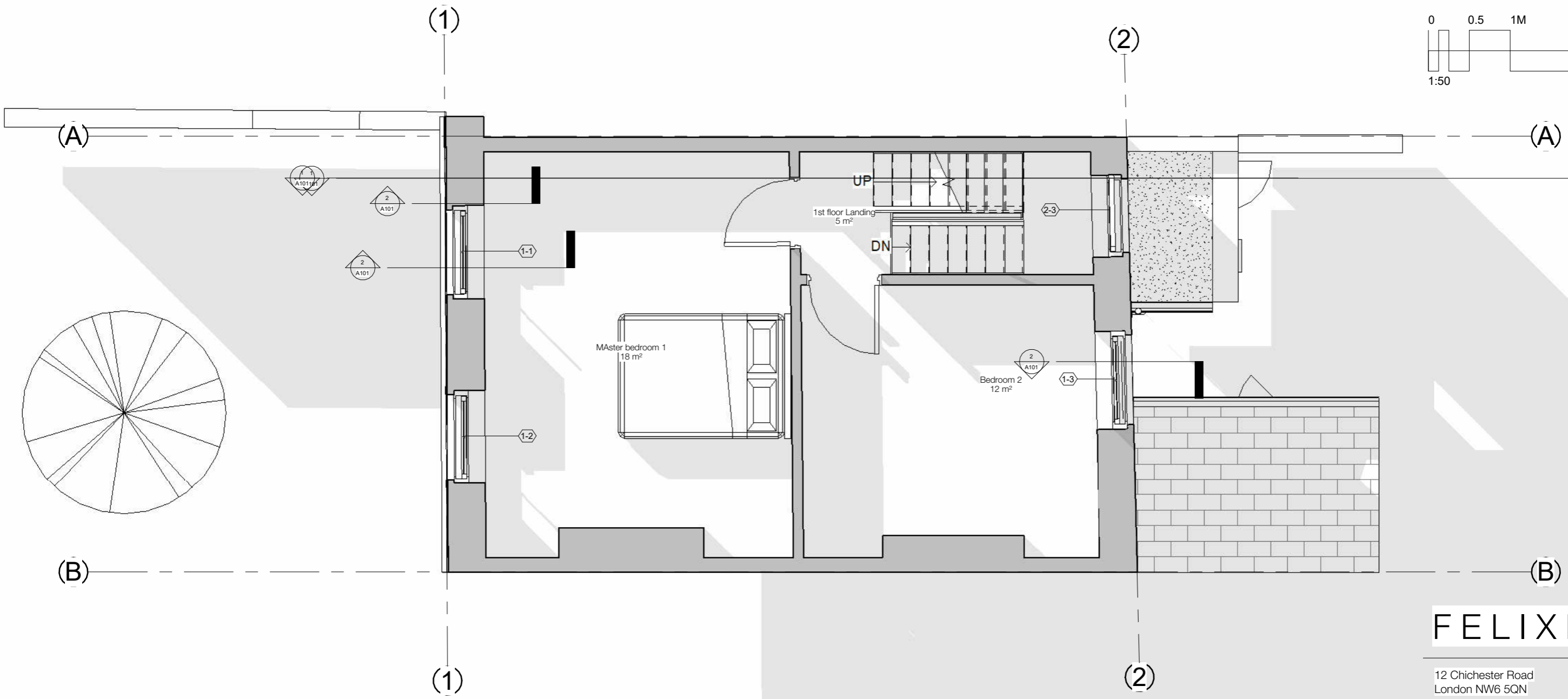
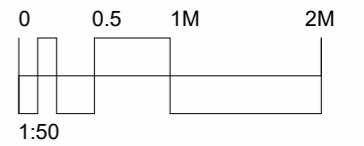
SCALE (@ A3) 1:50

DRAWING NUMBER REV

FDB-118W- A202	
----------------	--



No.	Description	Date



**FELIXDB**

12 Chichester Road  
London NW6 5QN

t. 07966264656

felix@felixdb.co.uk

TITLE  
FIRST FLR PROPOSED 1-50

PROJECT  
118 Torriano Avenue NW5 2RY

CLIENT Hamed & Fleur

F.P 16/03/2023 09:13:00

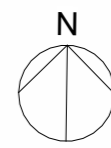
PROJECT NUMBER 118W-

SCALE (@ A3) 1 : 50

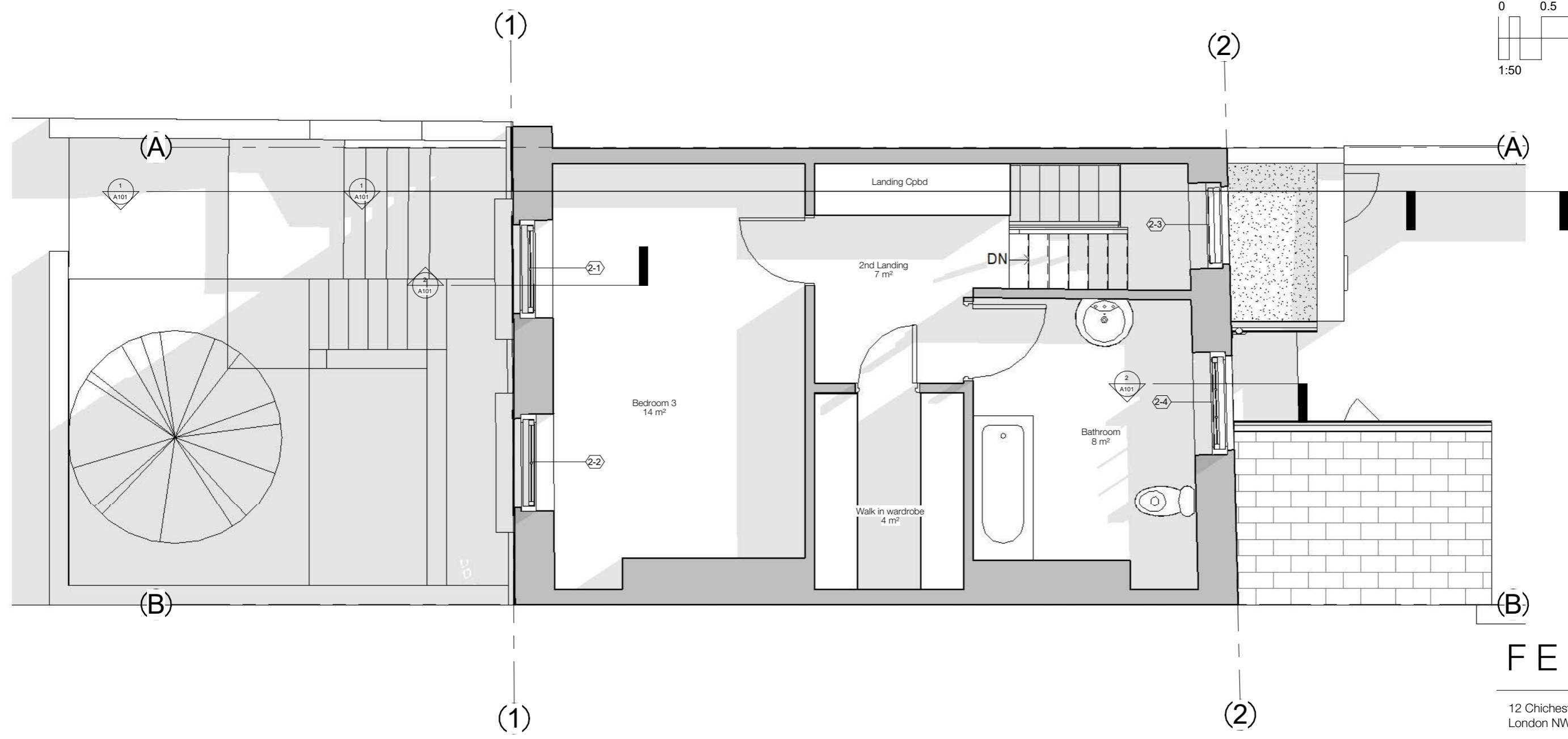
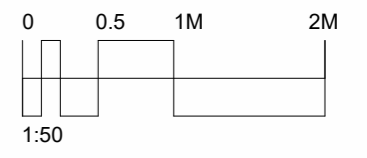
DRAWING NUMBER REV

FDB-118W- A203

**1** 01 First Floor - Proposed Windows 1.50  
1 : 50



No.	Description	Date



1 02 Second Floor - Proposed Windows 1.50  
1 : 50

# FELIXDB

12 Chichester Road  
London NW6 5QN

t. 07966264656

felix@felixdb.co.uk

TITLE  
SECOND FLR PROPOSED 1-50

PROJECT  
118 Torriano Avenue NW5 2RY

CLIENT Hamed & Fleur

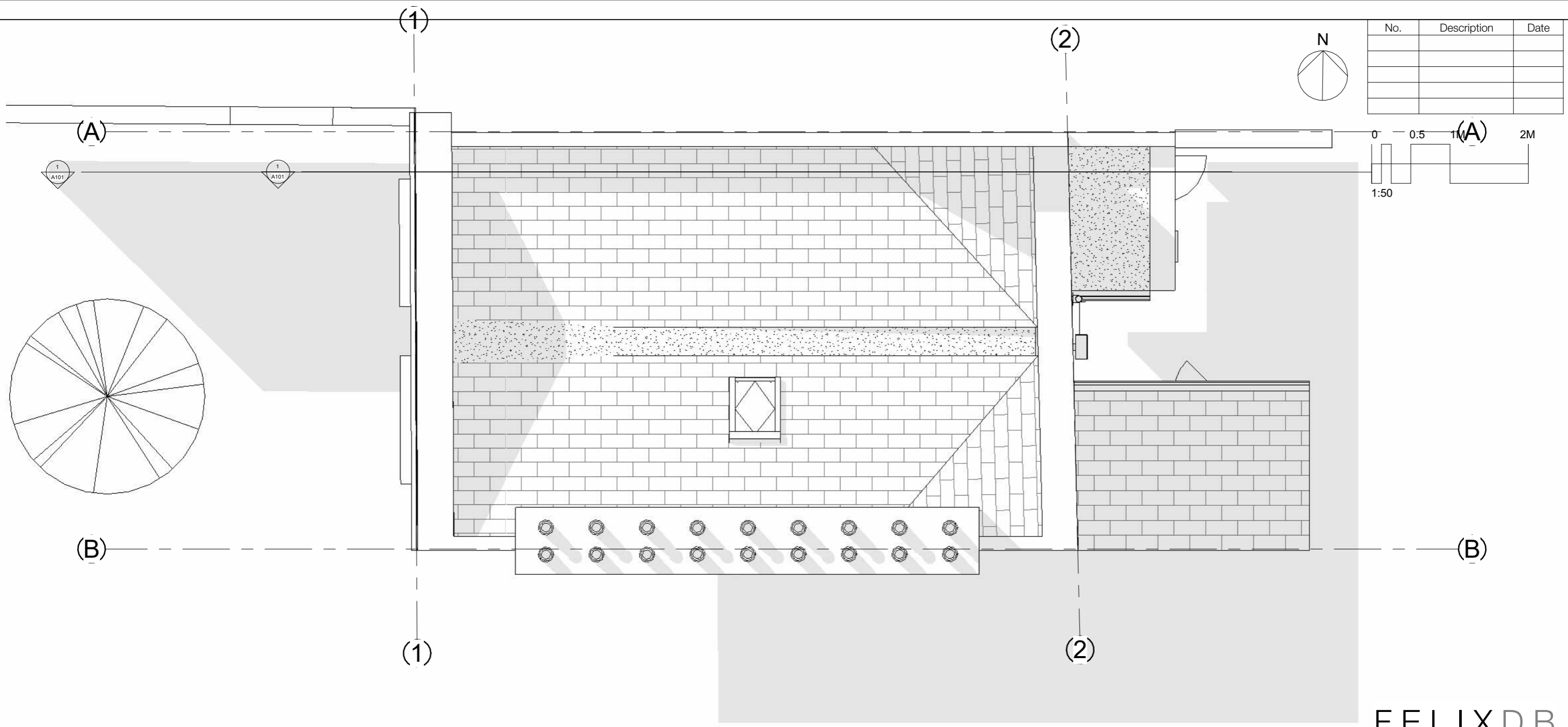
F.P 16/03/2023 09:13:01

PROJECT NUMBER 118W-

SCALE (@ A3) 1 : 50

DRAWING NUMBER REV

FDB-118W- A204	
----------------	--



No.	Description	Date

1 04 Roof Plan - Proposed Windows 1.50  
1:50

FELIXDB

12 Chichester Road  
London NW6 5QN  
t. 07966264656  
felix@felixdb.co.uk

TITLE  
ROOF PROPOSED - 1-50

PROJECT  
118 Torriano Avenue NW5 2RY

CLIENT Hamed & Fleur

F.P 16/03/2023 09:13:02

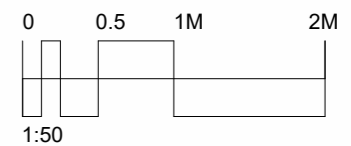
PROJECT NUMBER 118W-

SCALE (@ A3) 1:50

DRAWING NUMBER REV

FDB-118W- A206	
----------------	--

No.	Description	Date



Front door to be replaced with a like for like traditional hardwood door

Timber box sash window double glazed, lead weights, fully recessed into brick reveals, to match existing

Timber box sash window double glazed, lead weights, fully recessed into brick reveals, to match existing

Painted metal bars removed and replaced.

# FELIXDB

12 Chichester Road  
London NW6 5QN

t. 07966264656

felix@felixdb.co.uk

TITLE  
FRONT ELEVATION PROPOSED

PROJECT  
118 Torriano Avenue NW5 2RY

CLIENT Hamed & Fleur

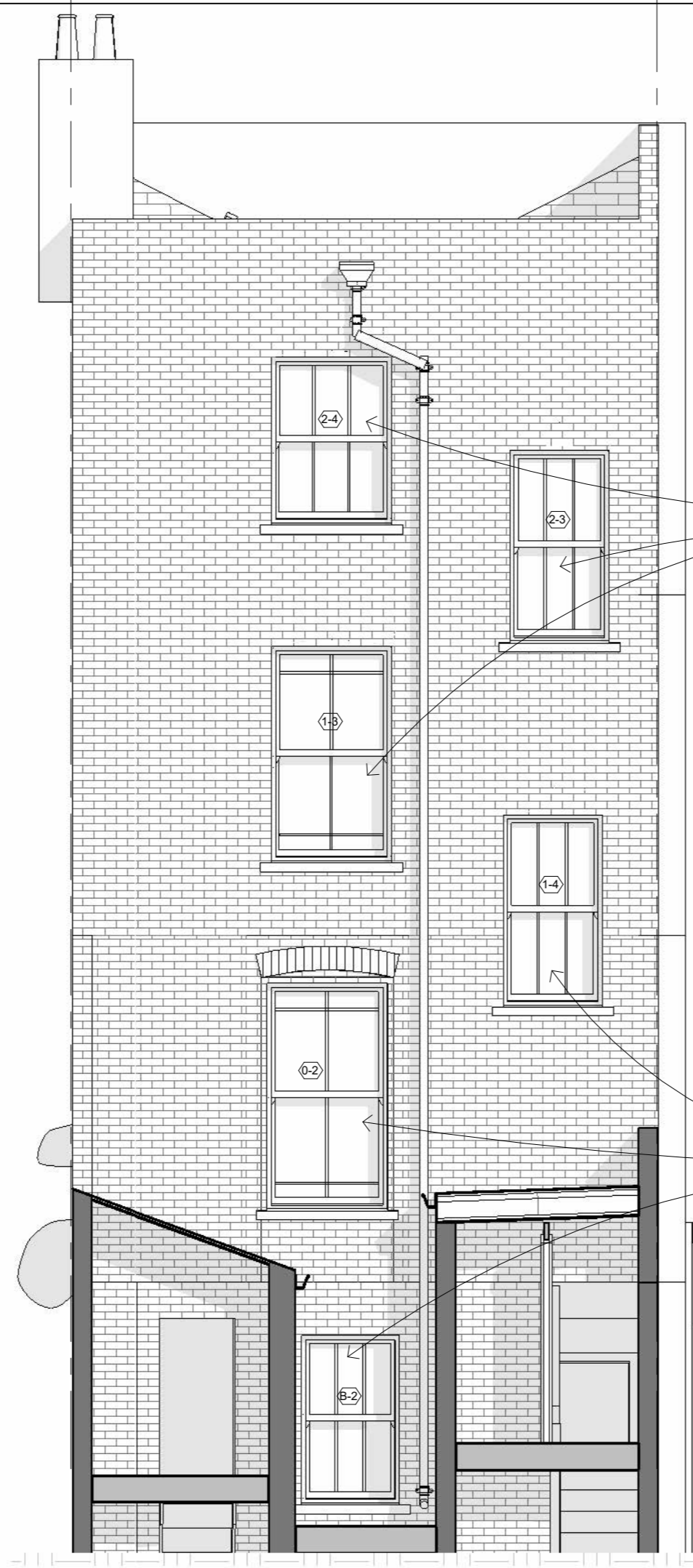
F.P 16/03/2023 09:13:02

PROJECT NUMBER 118W-

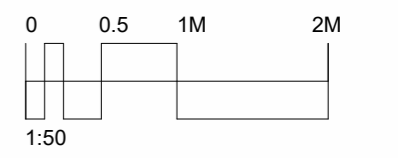
SCALE (@ A3) 1 : 50

DRAWING NUMBER REV

FDB-118W- A303	
----------------	--



No.	Description	Date



Timber box sash window double glazed, lead weights, fully recessed into brick reveals, to match existing

Timber box sash window double glazed, lead weights, fully recessed into brick reveals, to match existing

# FELIXDB

12 Chichester Road  
 London NW6 5QN  
 t. 07966264656  
 felix@felixdb.co.uk

TITLE  
 REAR ELEVATION PROPOSED

PROJECT  
 118 Torriano Avenue NW5 2RY

CLIENT  
 Hamed & Fleur

F.P  
 16/03/2023 09:13:03

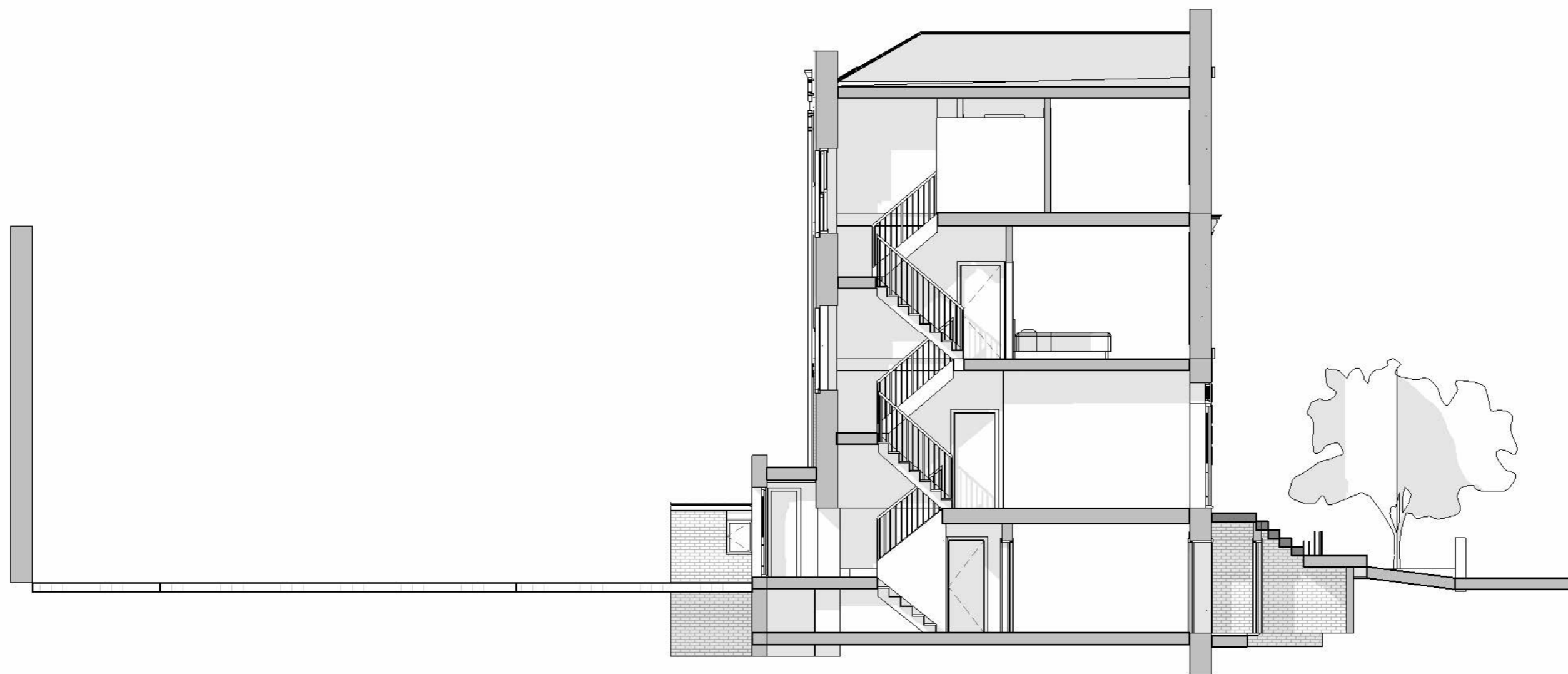
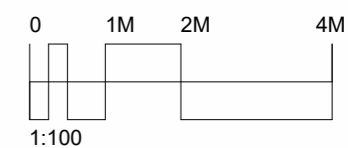
PROJECT NUMBER  
 118W-

SCALE (@ A3)  
 1 : 50

DRAWING NUMBER  
 REV

FDB-118W- A304	
----------------	--

No.	Description	Date



1 Section A - Proposed  
1 : 100

# FELIXDB

12 Chichester Road  
London NW6 5QN

t. 07966264656

felix@felixdb.co.uk

TITLE  
PROPOSED SECTIONS

PROJECT  
118 Torriano Avenue NW5 2RY

CLIENT Hamed & Fleur

F.P 16/03/2023 09:13:04

PROJECT NUMBER 118W-

SCALE (@ A3) 1 : 100

DRAWING NUMBER REV

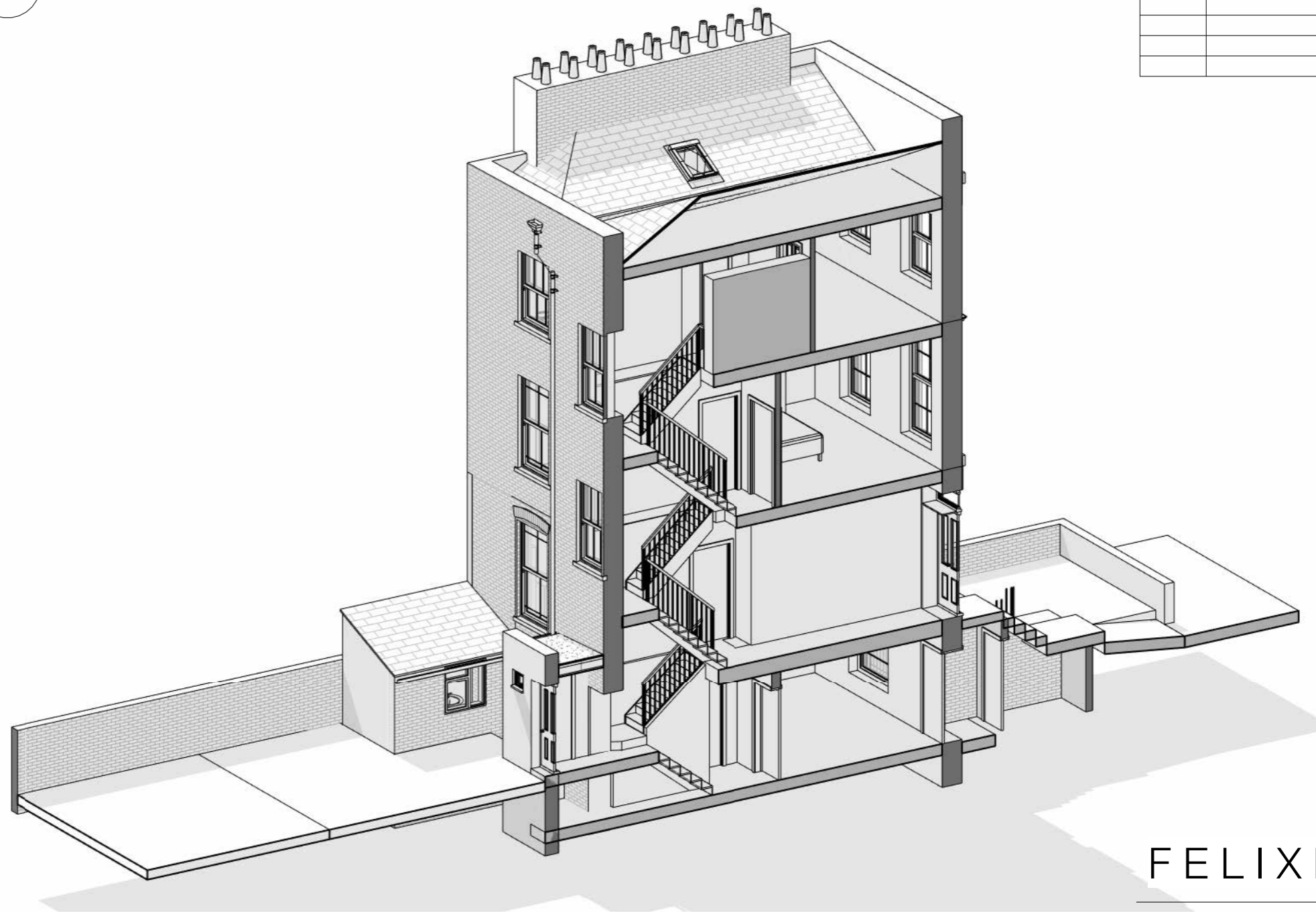
FDB-118W- A402	
----------------	--



2 3D FRONT PROPOSED perspective



1 3D REAR Proposed



3 3D PROPOSED CUT OUT

No.	Description	Date

FELIXDB

12 Chichester Road  
 London NW6 5QN  
 t. 07966264656  
 felix@felixdb.co.uk

TITLE  
 PROPOSED Perspective views

PROJECT  
 118 Torriano Avenue NW5 2RY

CLIENT Hamed & Fleur

F.P 16/03/2023 09:13:06

PROJECT NUMBER 118W-

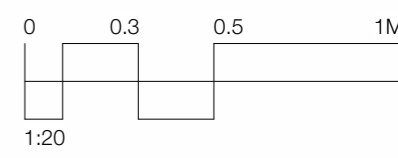
SCALE (@ A3)

DRAWING NUMBER REV

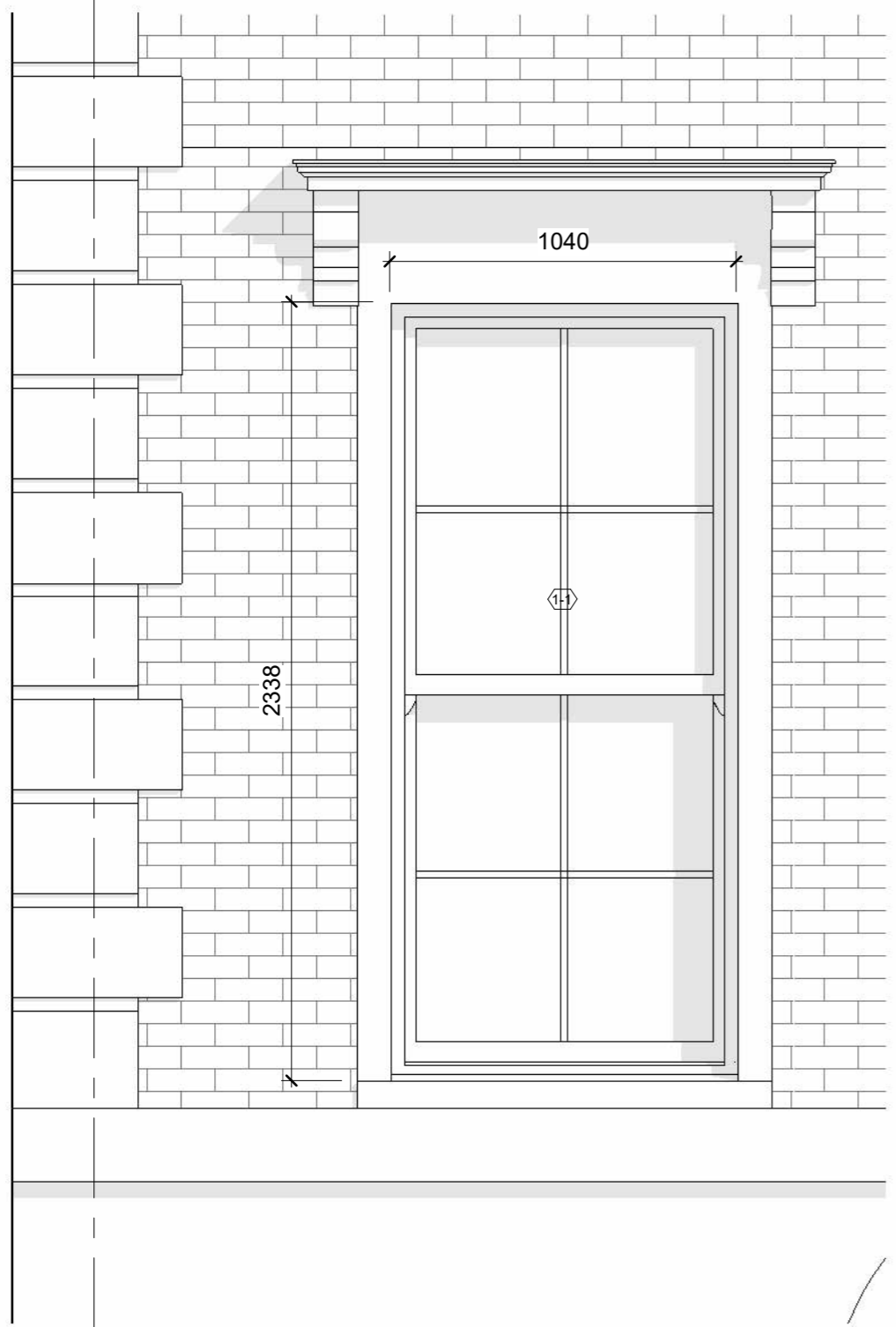
FDB-118W- A503	
----------------	--



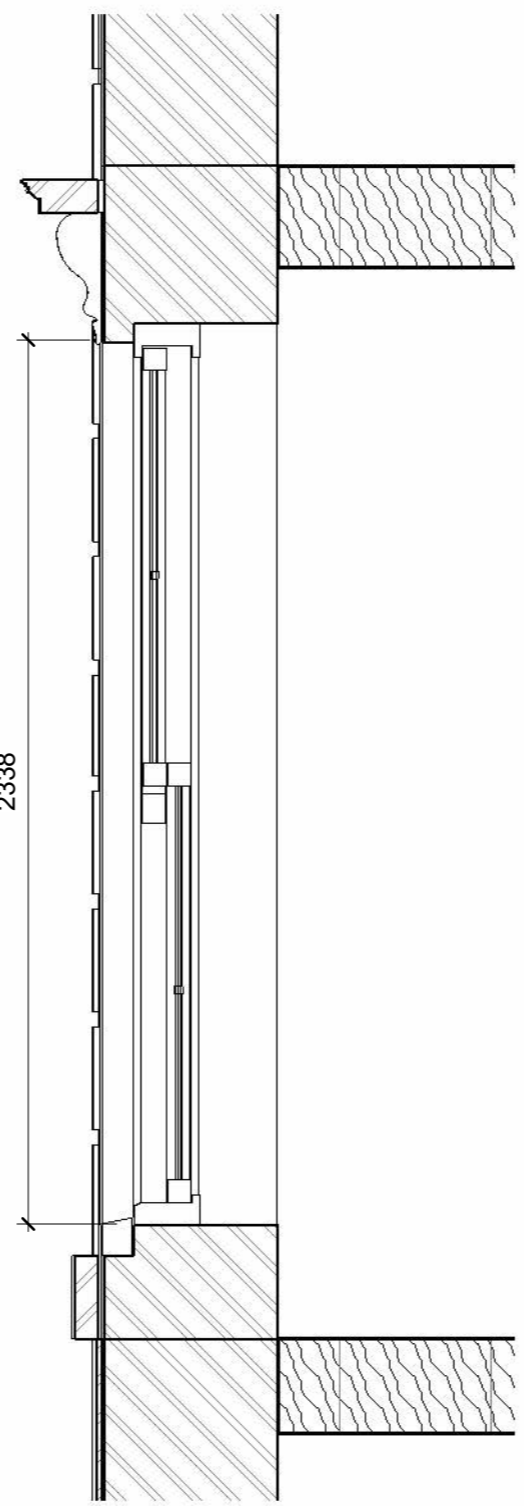
No.	Description	Date



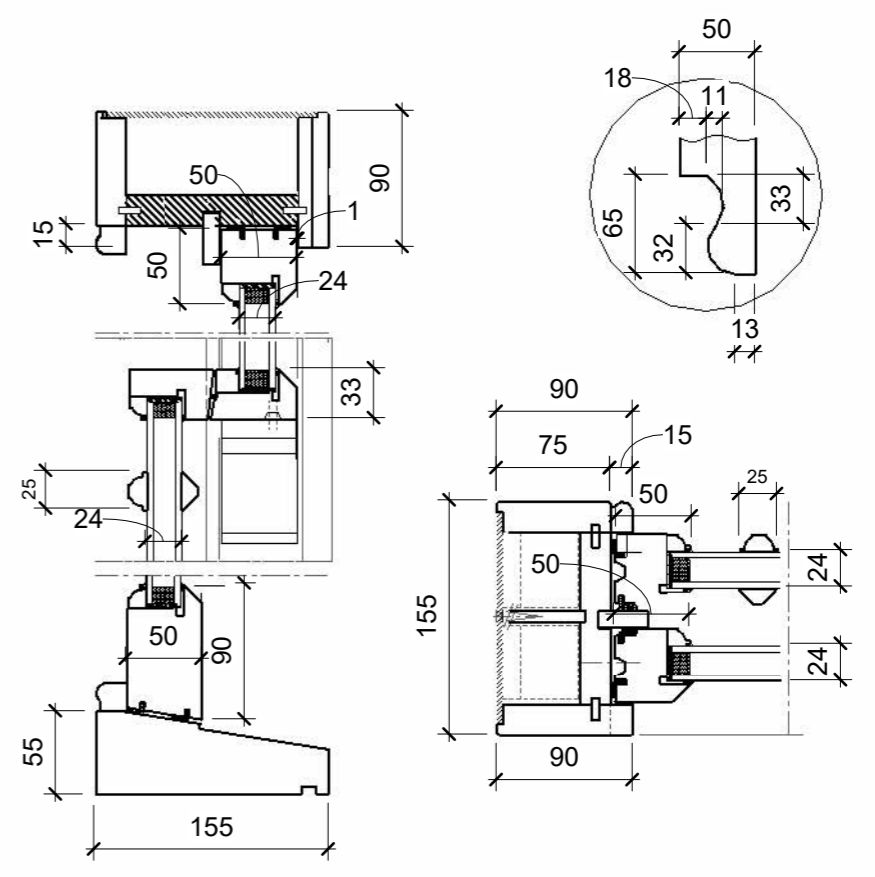
(A)



1 Front Elevation - Prop windows 1:20



2 Proposed Front Window Section 1:20



3 Front Window detail 1:5

# FELIXDB

12 Chichester Road  
London NW6 5QN  
t. 07966264656  
felix@felixdb.co.uk

TITLE  
FRONT PROPOSED SASH WINDOWS

PROJECT  
118 Torriano Avenue NW5 2RY

CLIENT Hamed & Fleur

F.P 16/03/2023 09:13:07

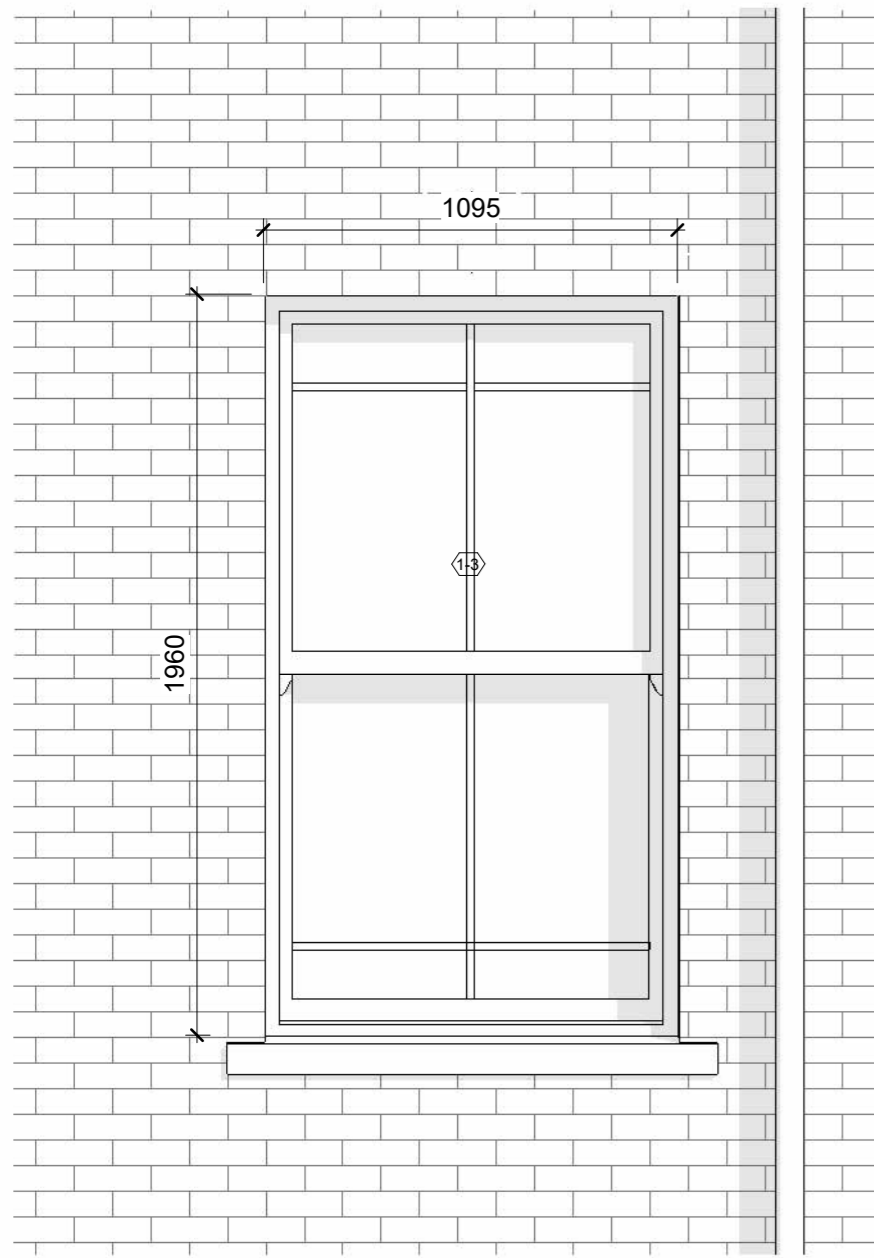
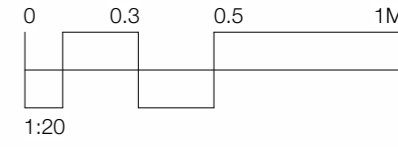
PROJECT NUMBER 118W-

SCALE (@ A3) As indicated

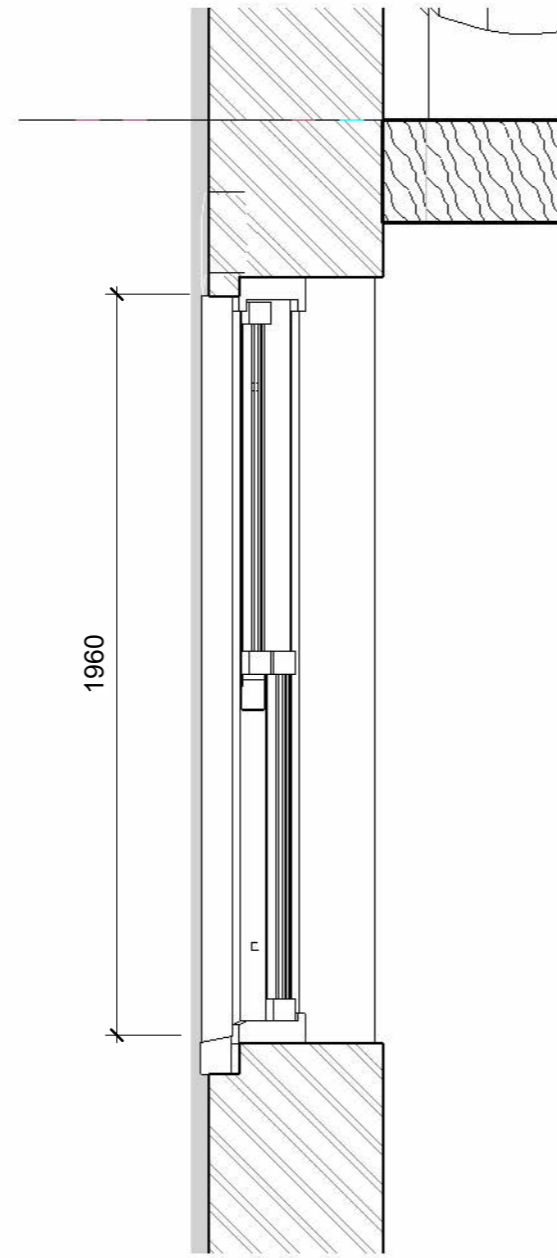
DRAWING NUMBER REV

FDB-118W- A701	
----------------	--

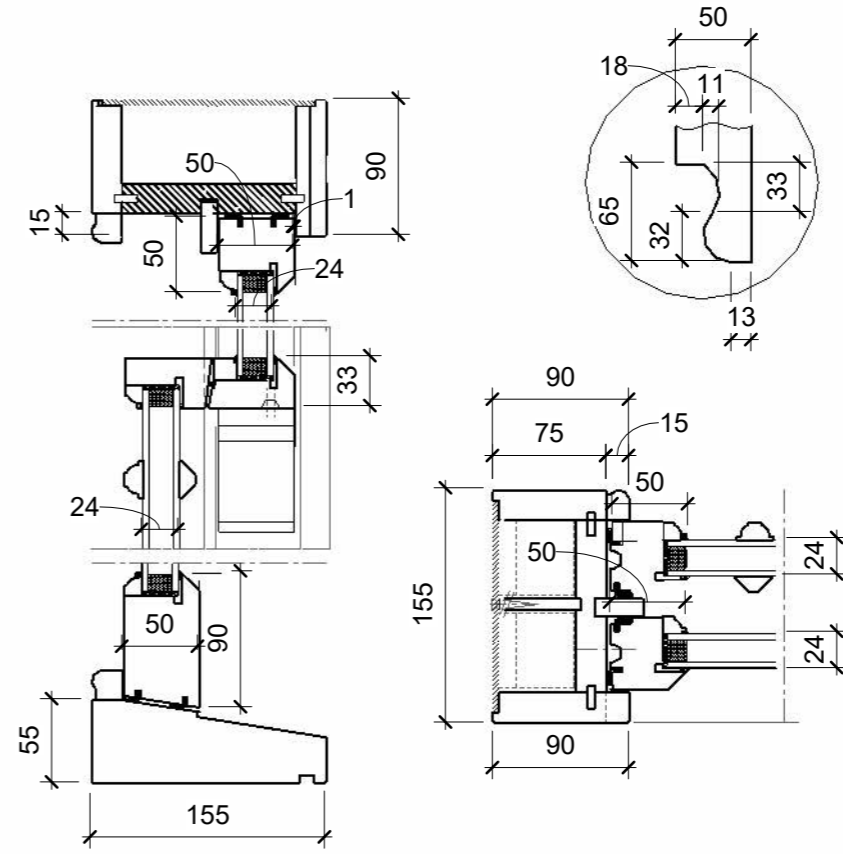
No.	Description	Date



1 Rear Elevation - Prop windows 1.20  
1:20



2 Proposed Rear Window Section  
1:20



3 Rear Window detail  
1:5

# FELIXDB

12 Chichester Road  
London NW6 5QN

t. 07966264656

felix@felixdb.co.uk

TITLE  
REAR PROPOSED SASH WINDOWS

PROJECT  
118 Torriano Avenue NW5 2RY

CLIENT Hamed & Fleur

F.P 16/03/2023 09:13:07

PROJECT NUMBER 118W-

SCALE (@ A3) As indicated

DRAWING NUMBER REV

FDB-118W- A702	
----------------	--

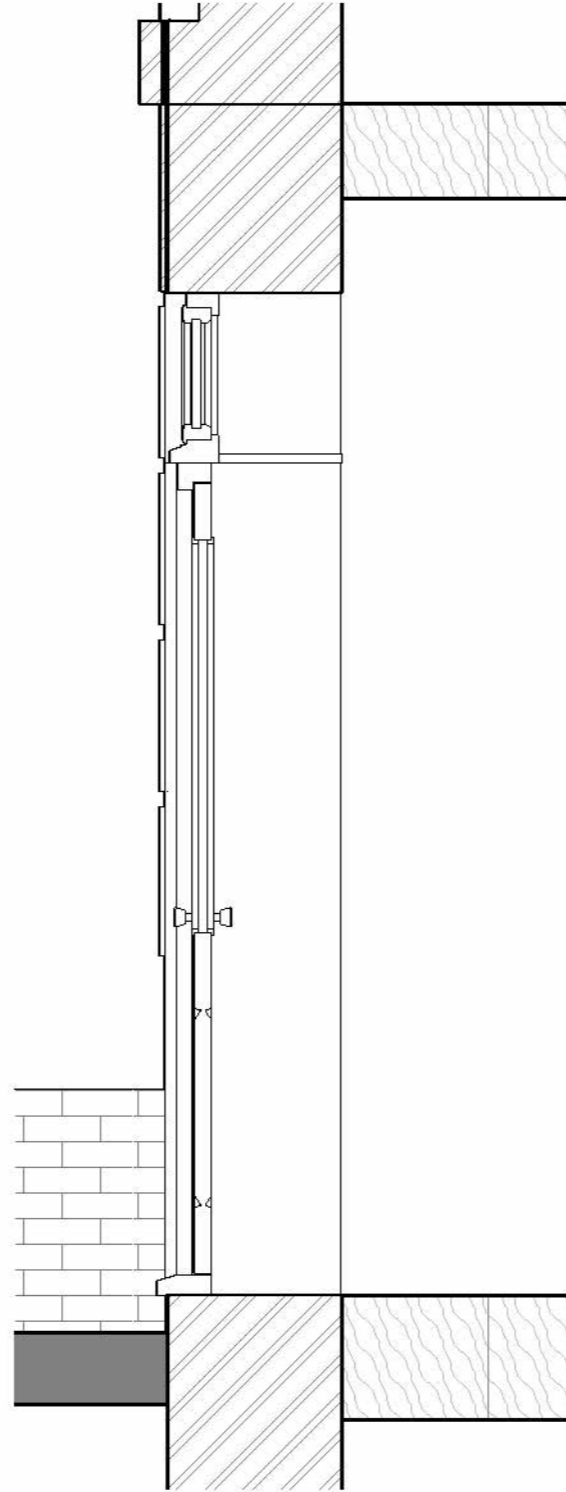
(A)



1

Front Elevation - Prop front door 1.20

1:20



2

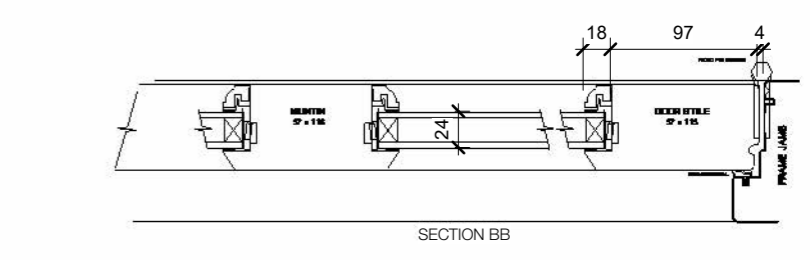
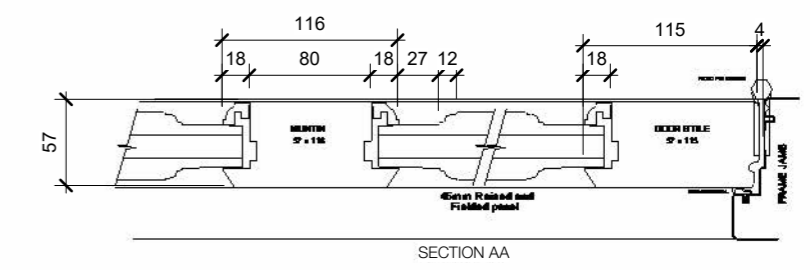
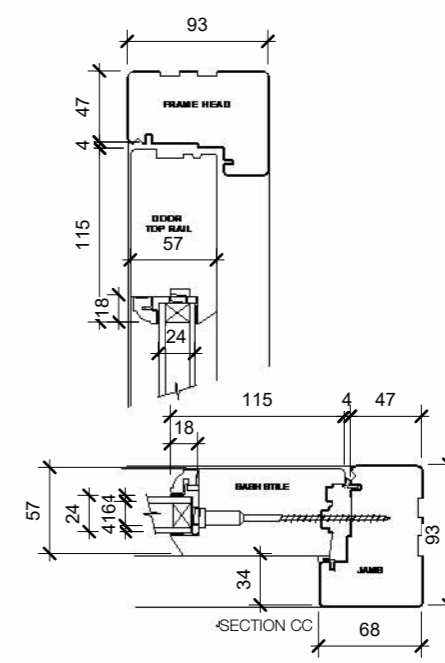
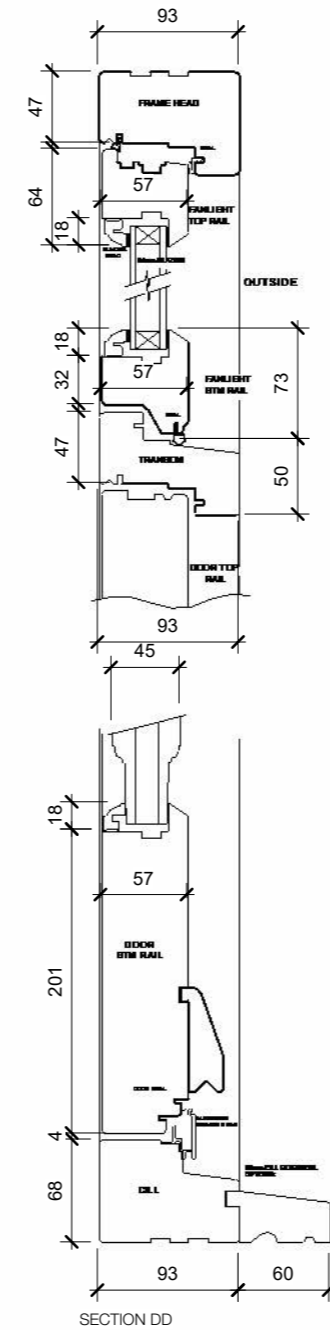
Proposed Front door Section

1:20

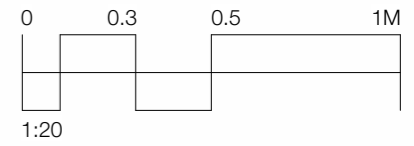
3

Front door sections

1:5



No.	Description	Date



FELIXDB

12 Chichester Road  
 London NW6 5QN  
 t. 07966264656  
 felix@felixdb.co.uk

TITLE  
 PROPOSED FRONT DOOR

PROJECT  
 118 Torriano Avenue NW5 2RY

CLIENT Hamed & Fleur

F.P 16/03/2023 09:13:08

PROJECT NUMBER 118W-

SCALE (@ A3) As indicated

DRAWING NUMBER REV

FDB-118W- A703	
----------------	--